

SOJAG

produits saisonniers • seasonal products

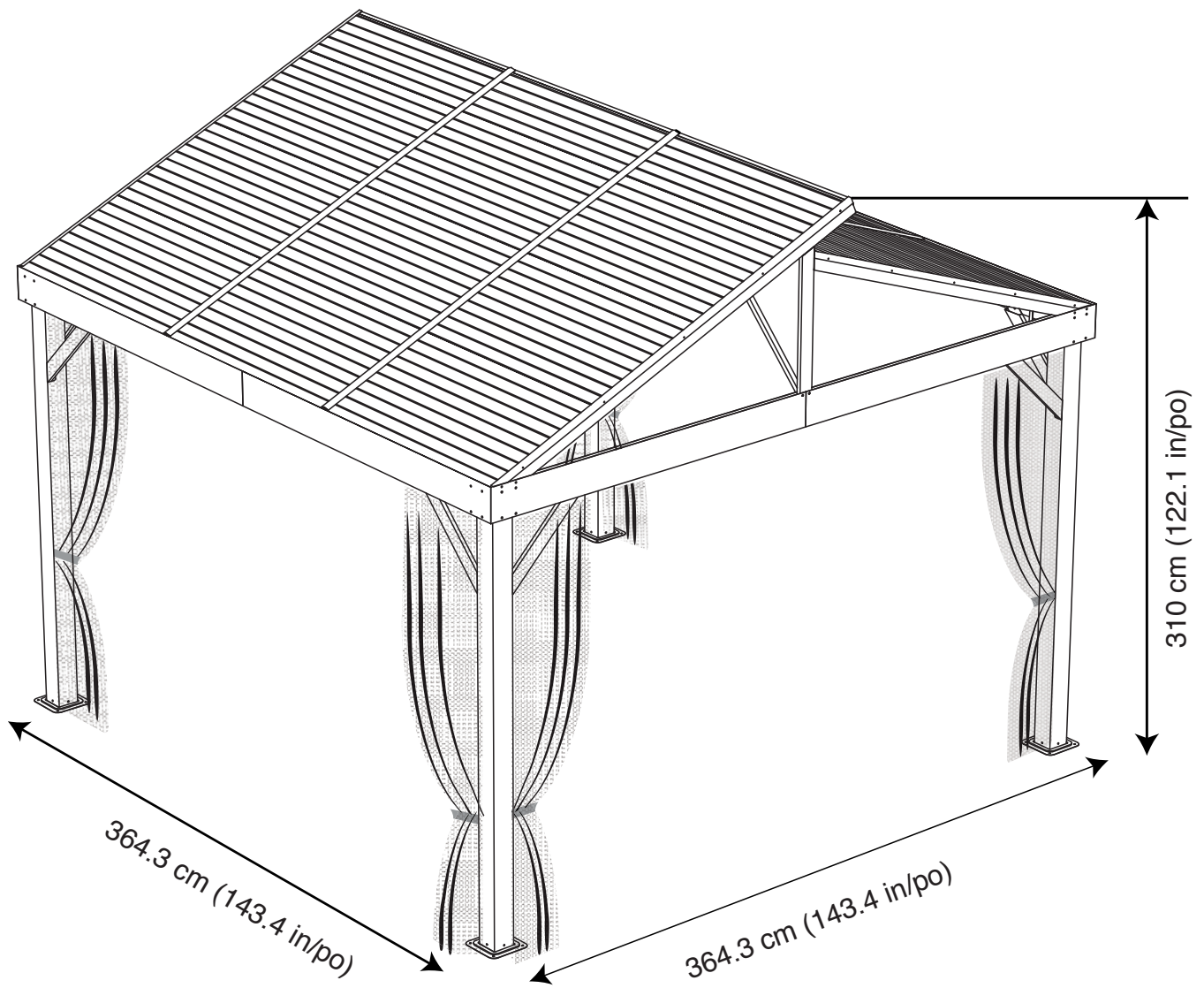


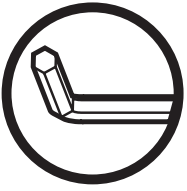
Sojag code: 500-8162783

CUP/UPC code: 772830162783

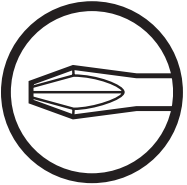
QUESTIONS? 1 866-901-1649

Assembly Manual / Guide d'assemblage / Manual de ensamblaje / 조립 설명서 / Montageanleitung





Use the hex keys in the box. / Utilisez les clés hexagonales fournies dans la boîte. /
Utilice las llaves hexagonales en la caja. / 상자에 육각 키를 사용 하십시오. / Verwenden Sie
die Sechskantschlüssel in der Box.



Please use a Phillips screwdriver. / Utilisez un tournevis de type Phillips / Por favor,
use un destornillador Phillips. / 십자 드라이버를 사용 하십시오. / Bitte verwenden
Sie einen Kreuzschraubenzieher.



You may need to use a drill for this step. / Vous pouvez avoir besoin d'utiliser une
perceuse pour cette étape. / Puede que tenga que utilizar un taladro para este paso. /
이 단계에선 드릴을 사용해야 할 수도 있습니다. / Für diesen Schritt können Sie einen
Bohrer verwenden.



Wearing protective gloves is recommended. / Le port de gants de protection est recommandé /
El uso de guantes de protección se recomienda. / 보호 장갑을 착용 하는 것이 좋습니다. /
Das Tragen von Schutzhandschuhen wird empfohlen.



Two or more people are required at this stage. / Deux personnes ou plus sont nécessaires à cette
étape. / Dos o más personas se requieren en esta etapa. / 이 단계에서는 두 명 이상 이 필요합니다. /
Für diesen Bauschritt sind 2 oder mehr Personen erforderlich.

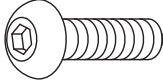


Do not tighten screws all the way for now. / Ne pas visser fermement pour l'instant. /
No atornille con firmeza por ahora. / 아직 나사를 단단히 조이지 마십시오. / Bitte die
Schrauben zum jetzigen Zeitpunkt noch nicht fest anziehen.

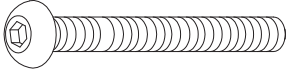


Sold separately. / Vendus séparément. / vendido en las opciones. /
옵션 판매 / Optional erhältlich

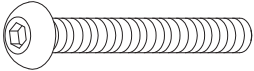
V X 204 (+10)




V1 X 4 (+1)




V2 X 2 (+1)



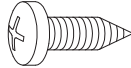
X X 32 (+3)



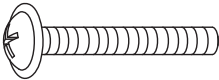
X1 X 30 (+4)




Y X 36 (+6)




Y1 X 20 (+4)




Wa X 2



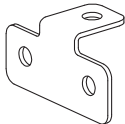
M X 2




M1 X 4

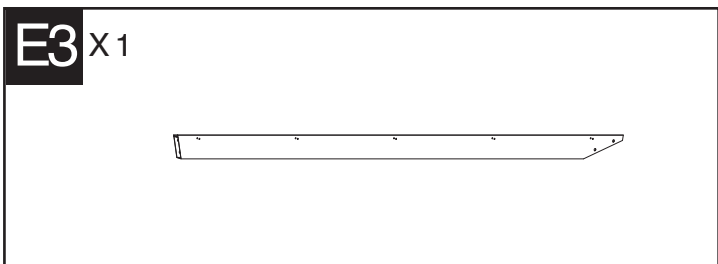
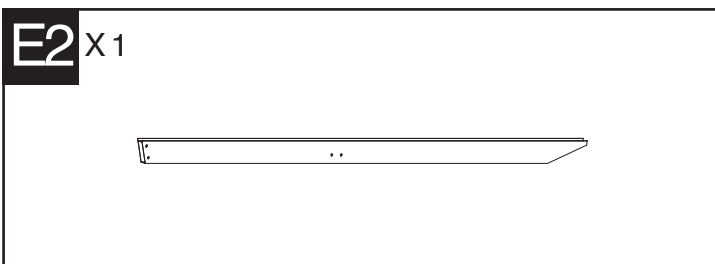
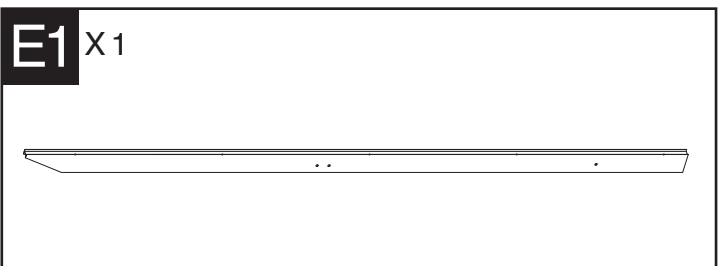
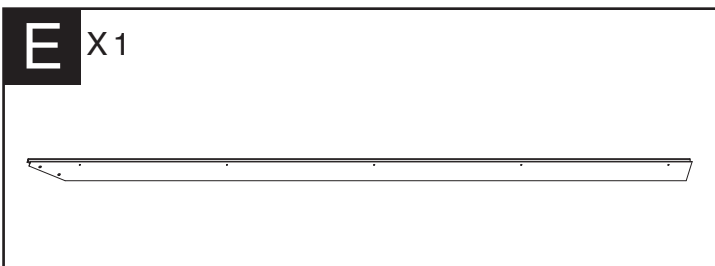
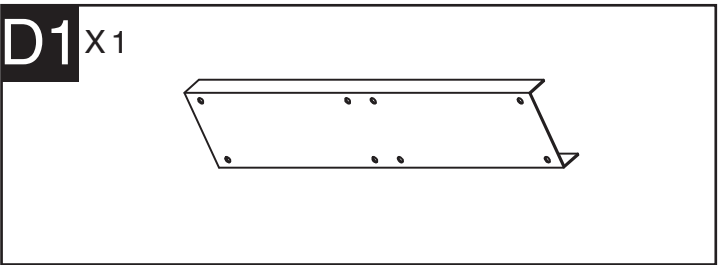
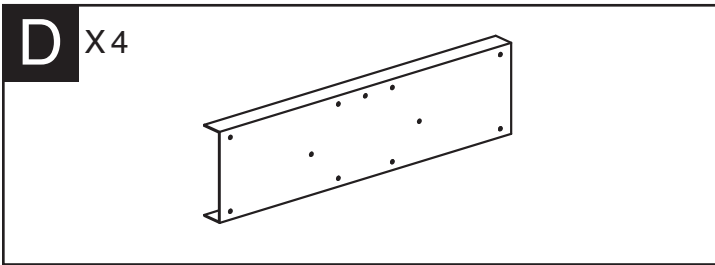
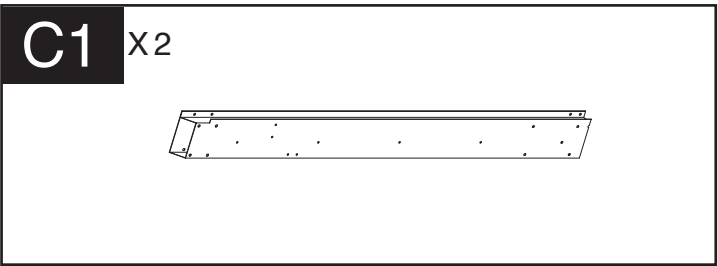
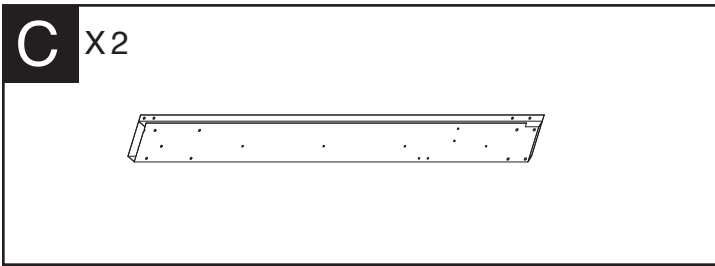
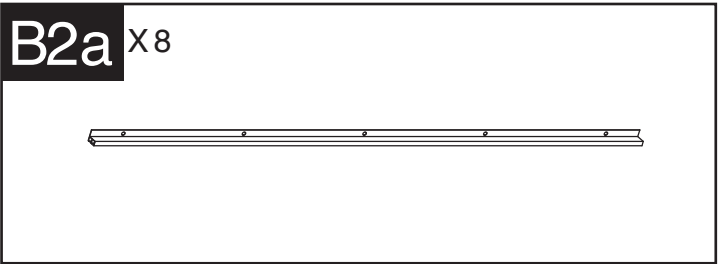
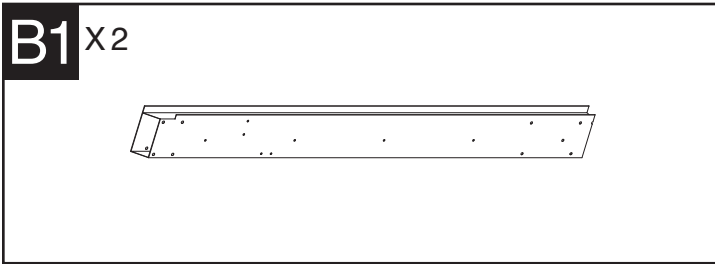
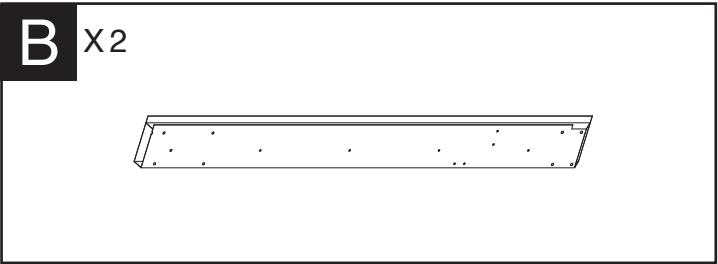
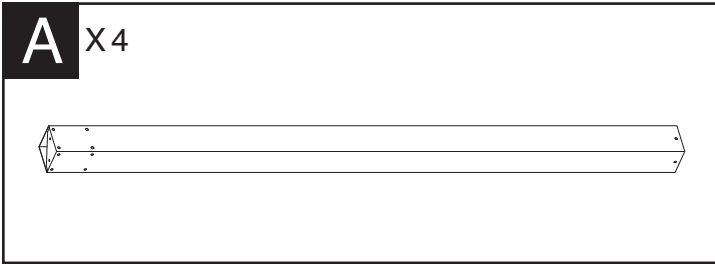


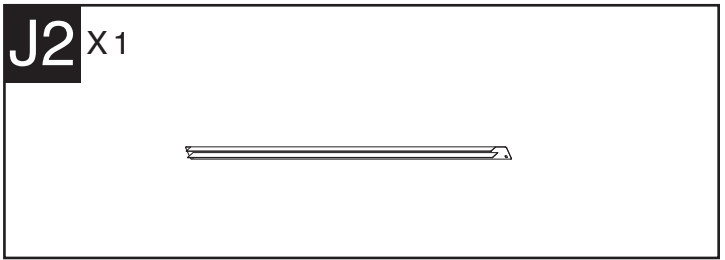
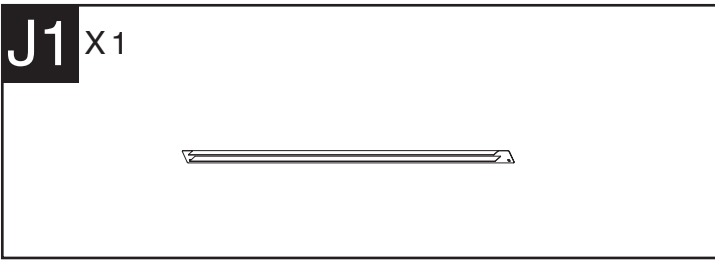
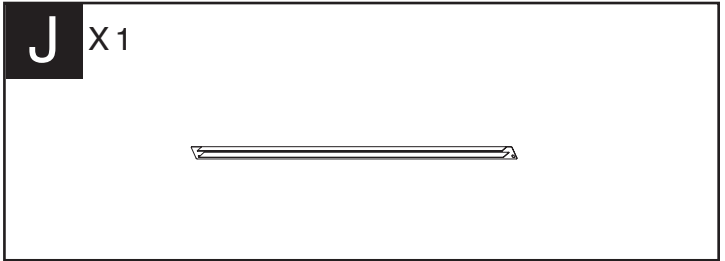
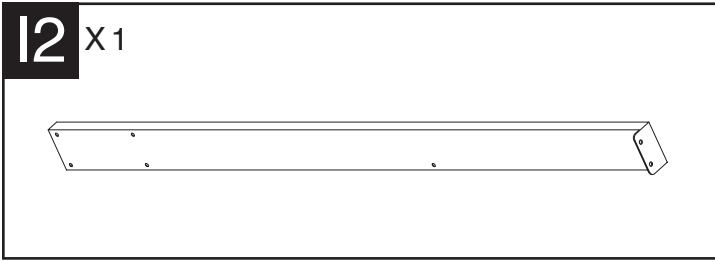
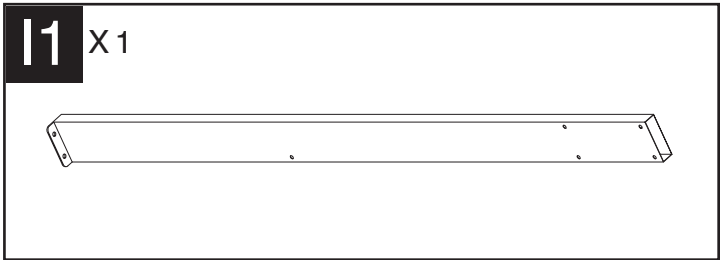
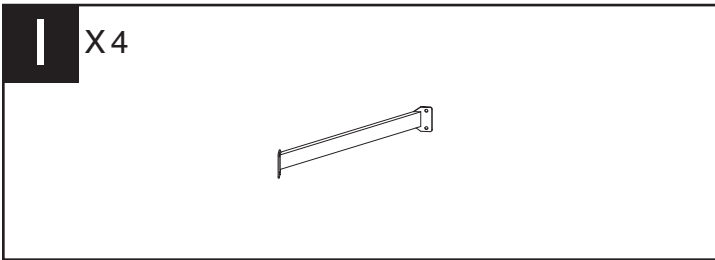
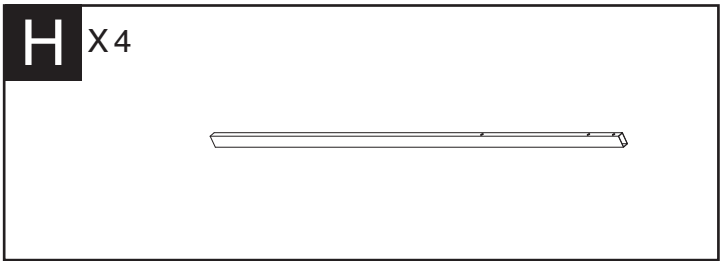
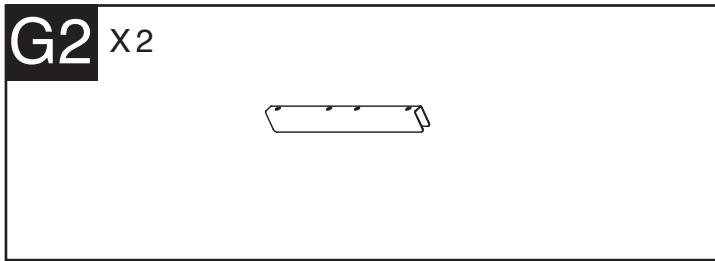
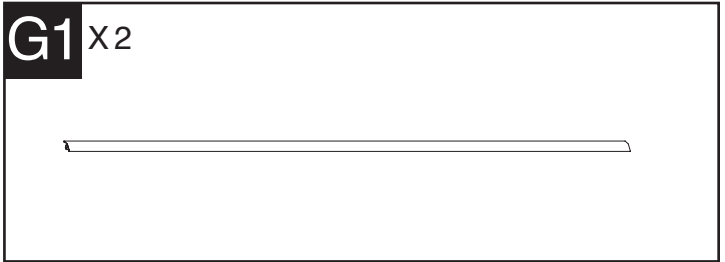
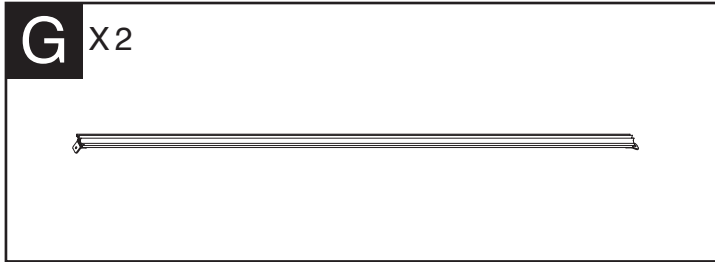
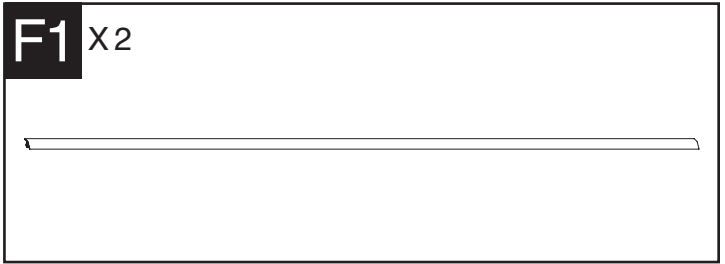
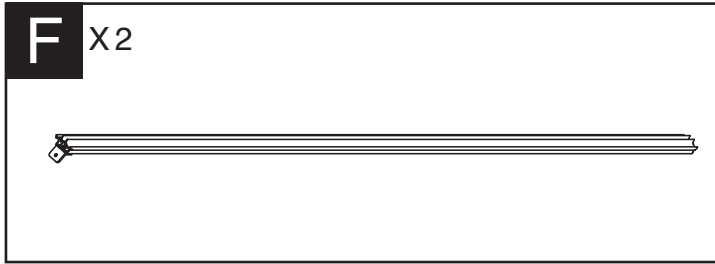
M2 X 4

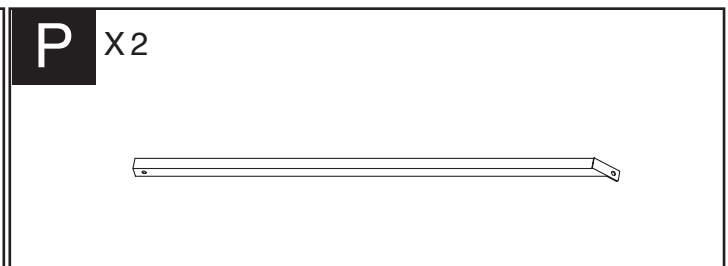
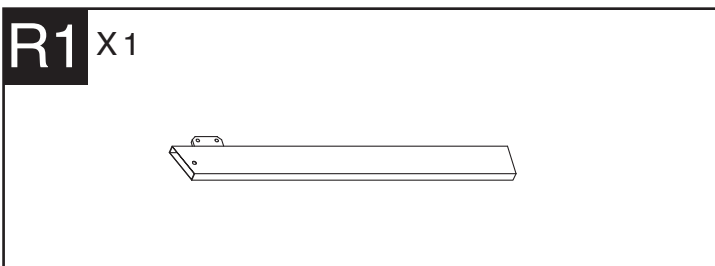
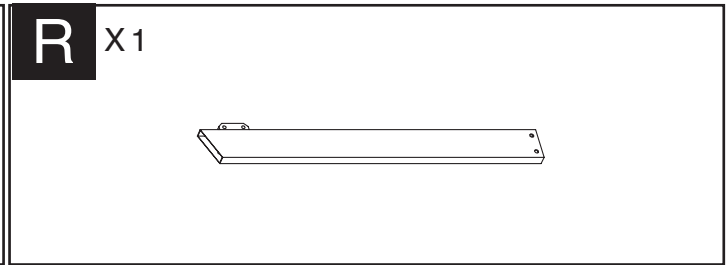
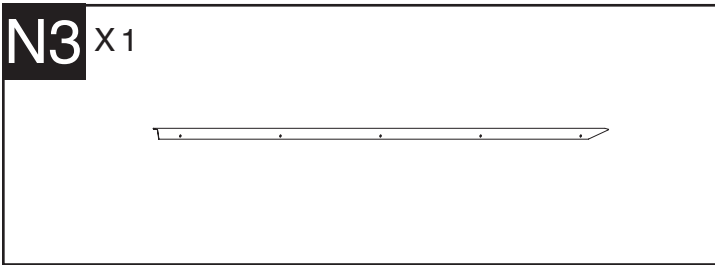
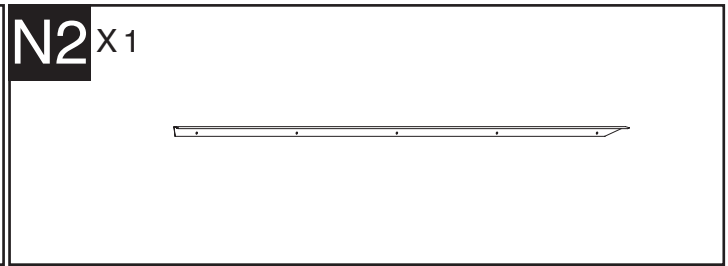
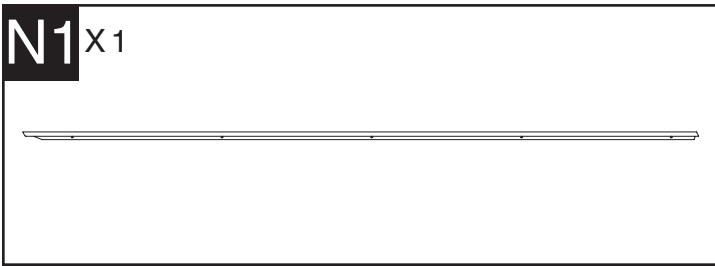
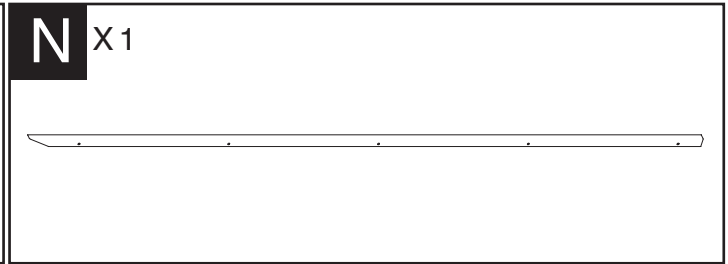
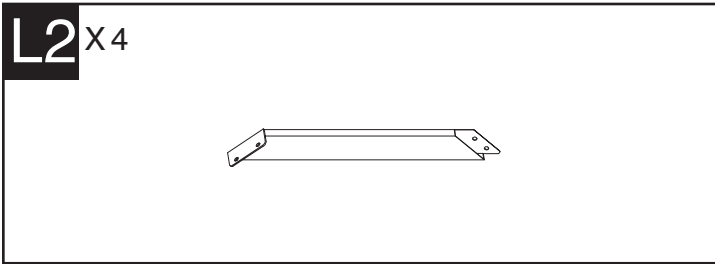
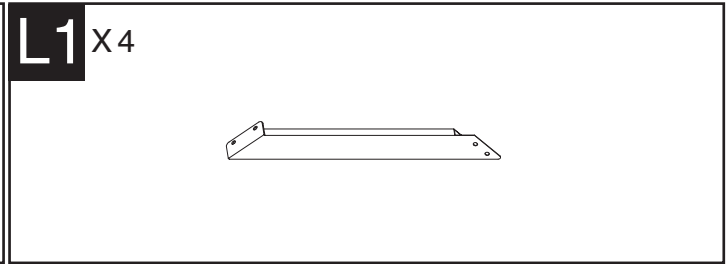
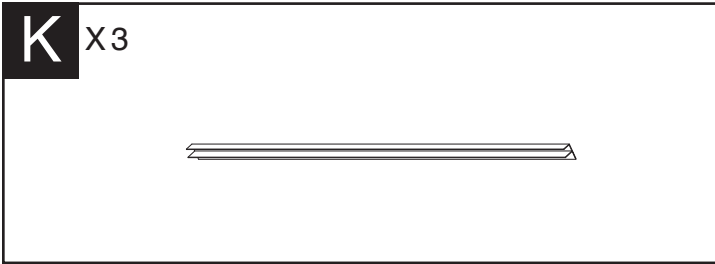


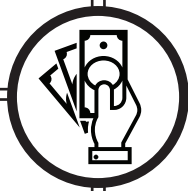
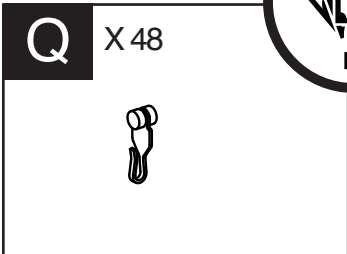
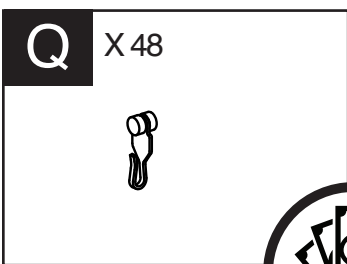
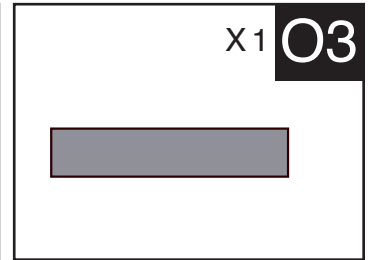
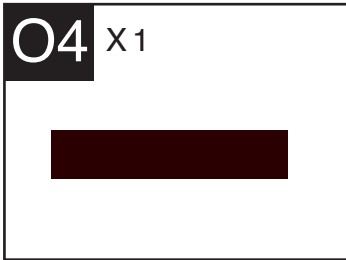
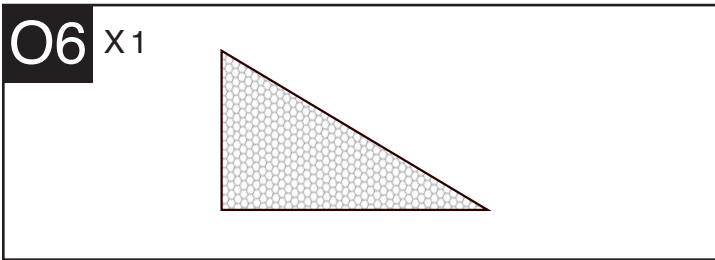
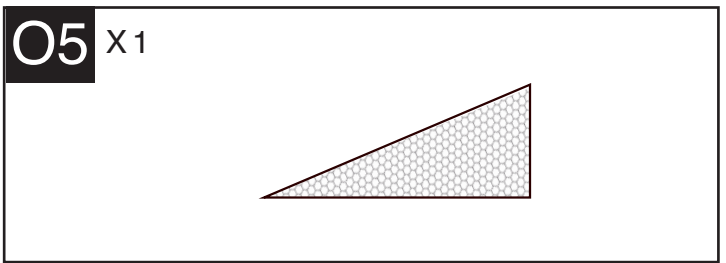
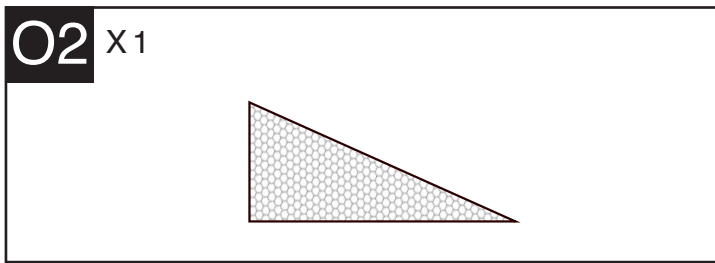
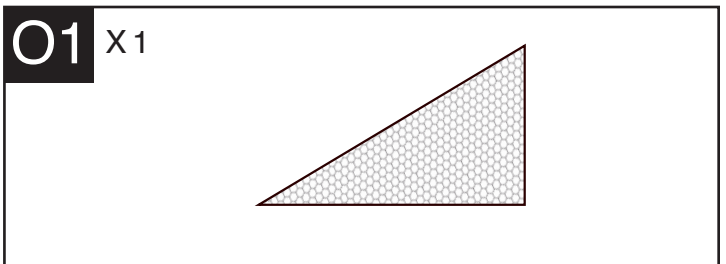
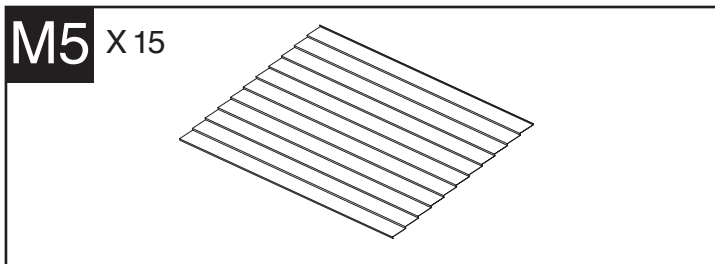
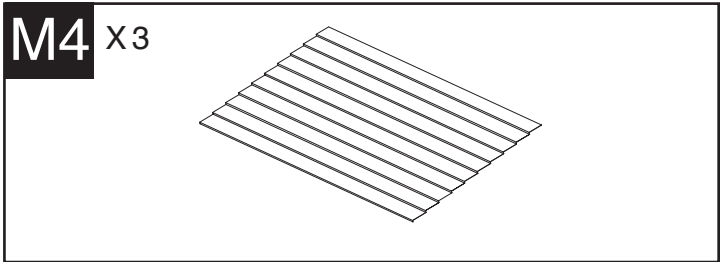
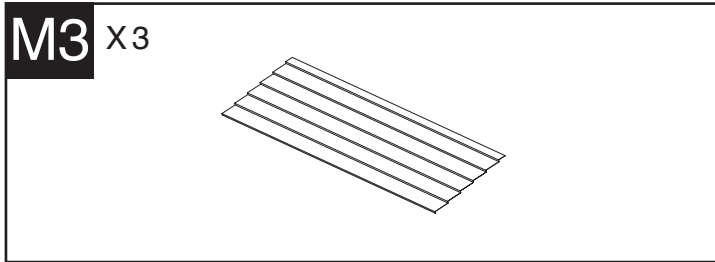
Z X 1



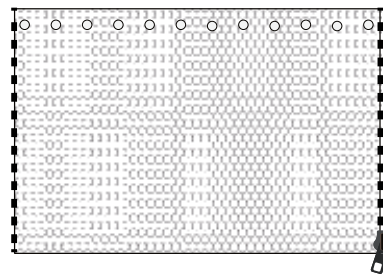




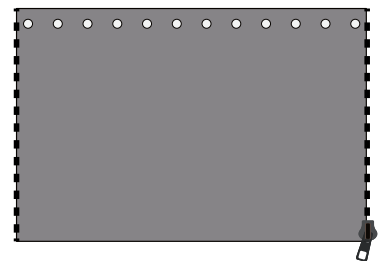


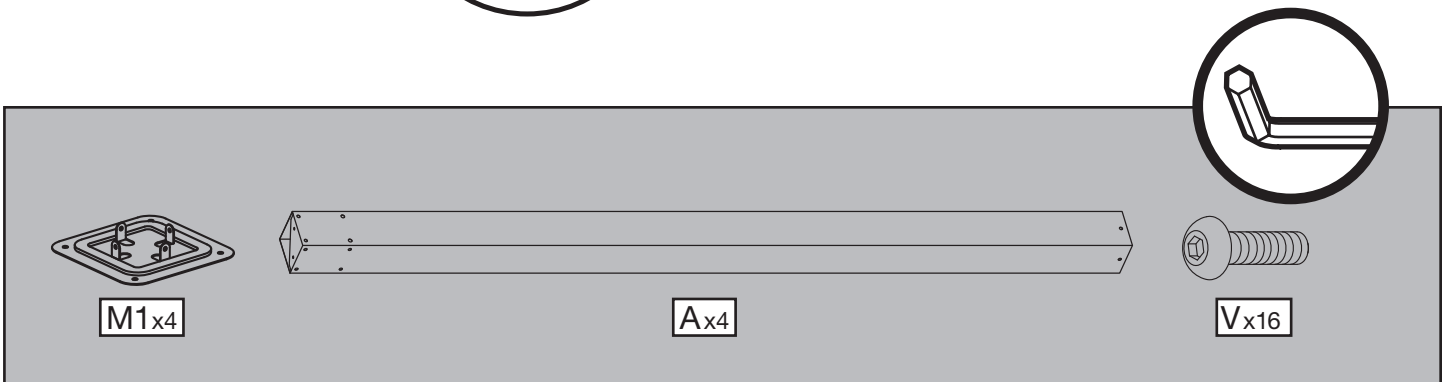
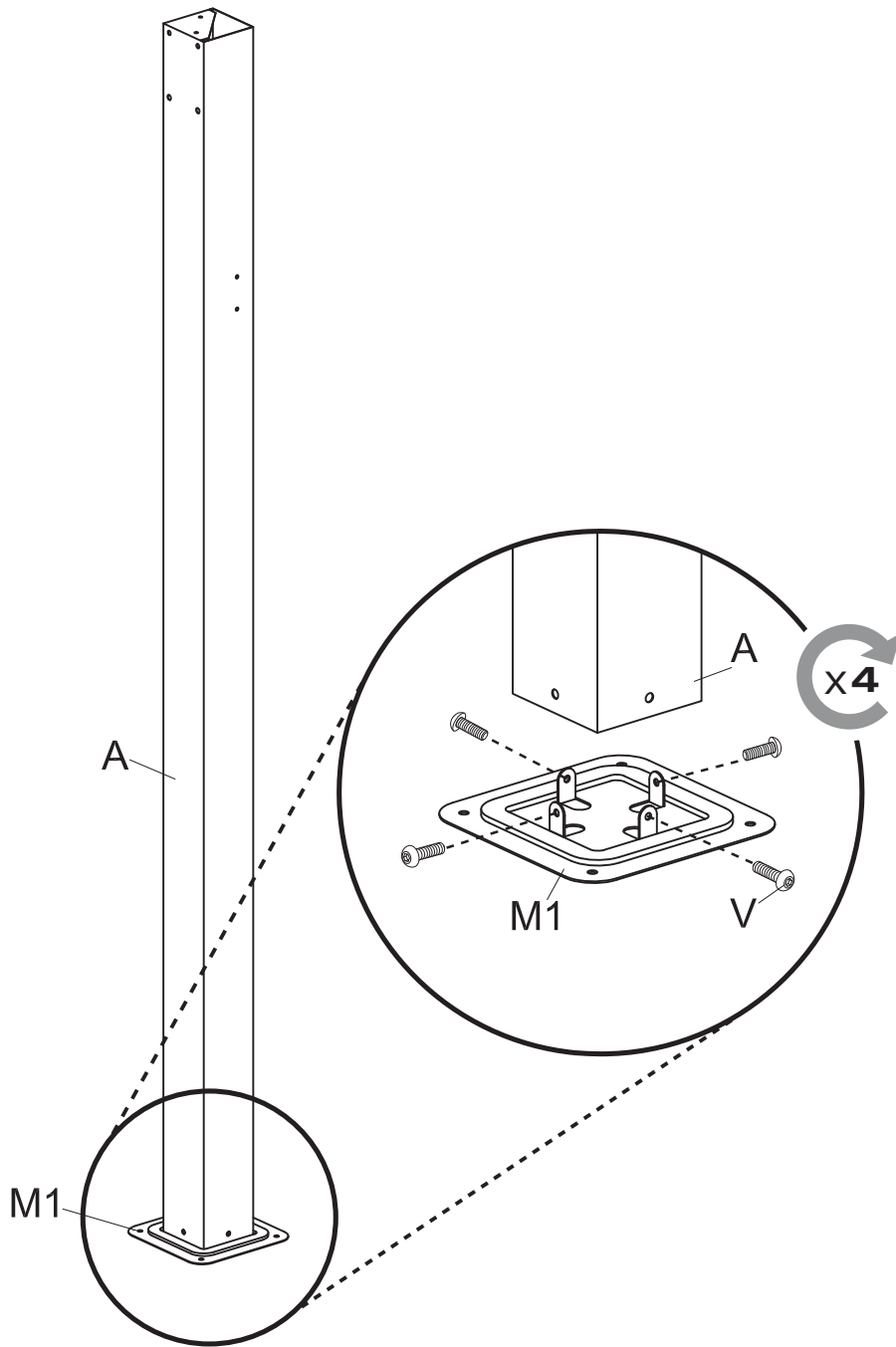


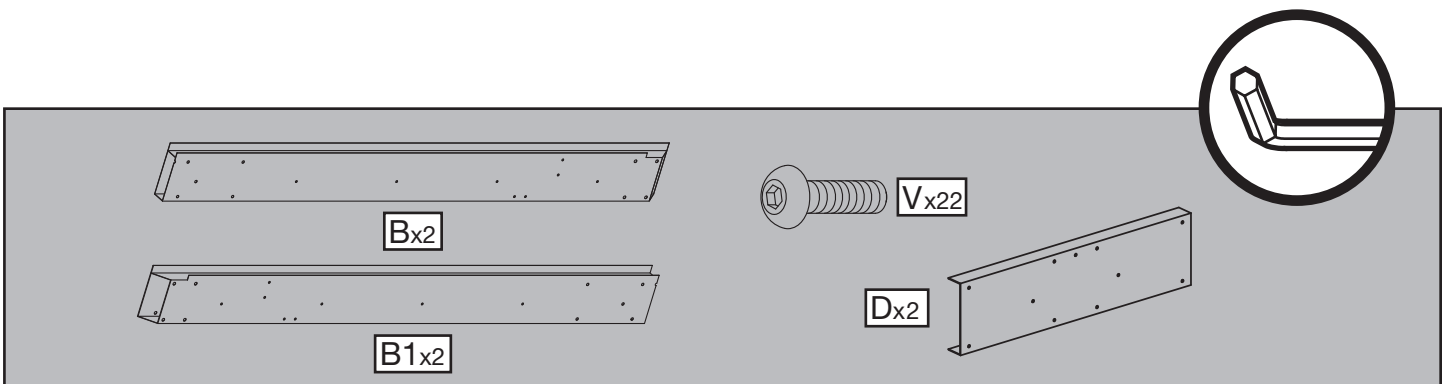
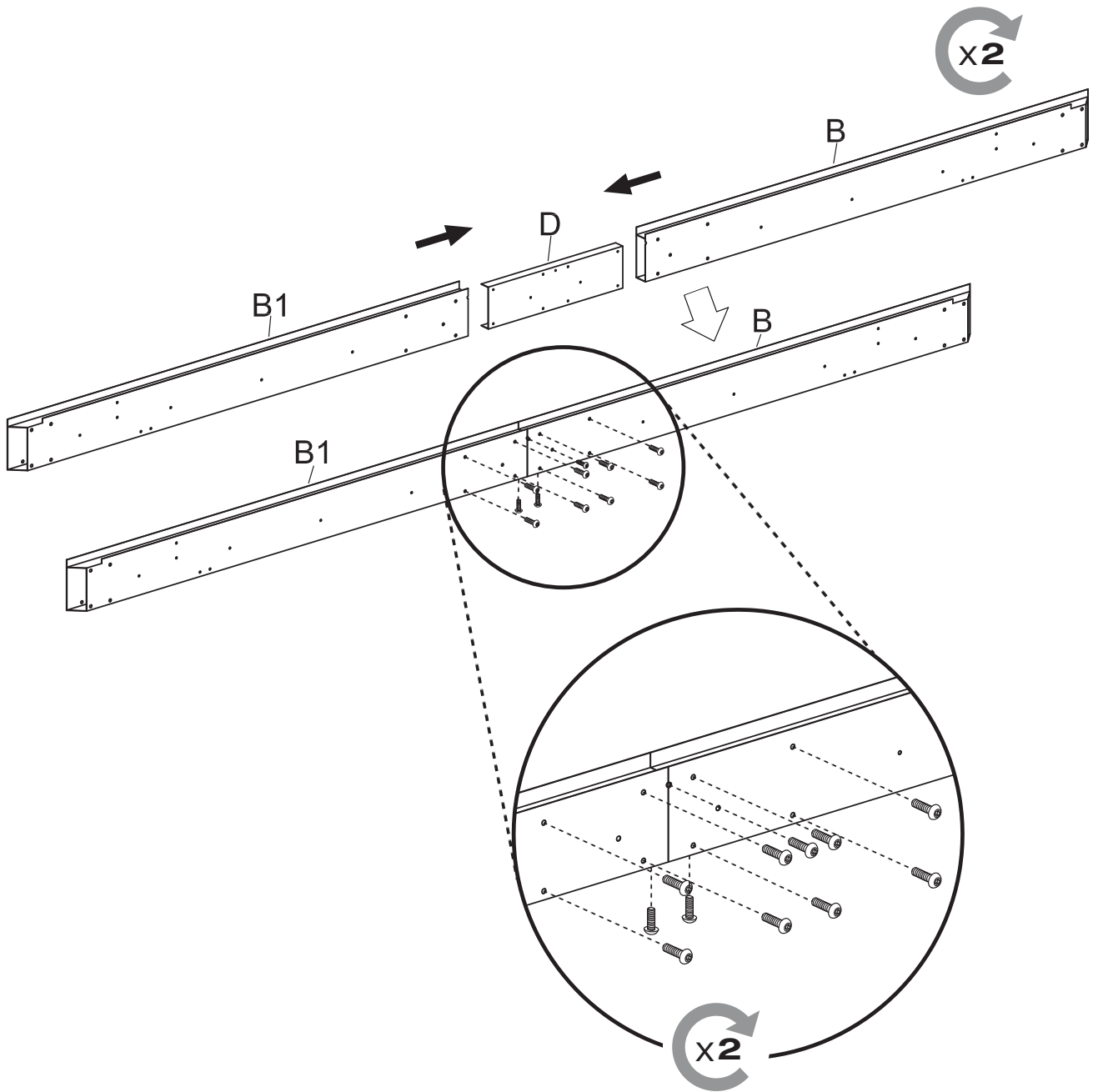
Net x4

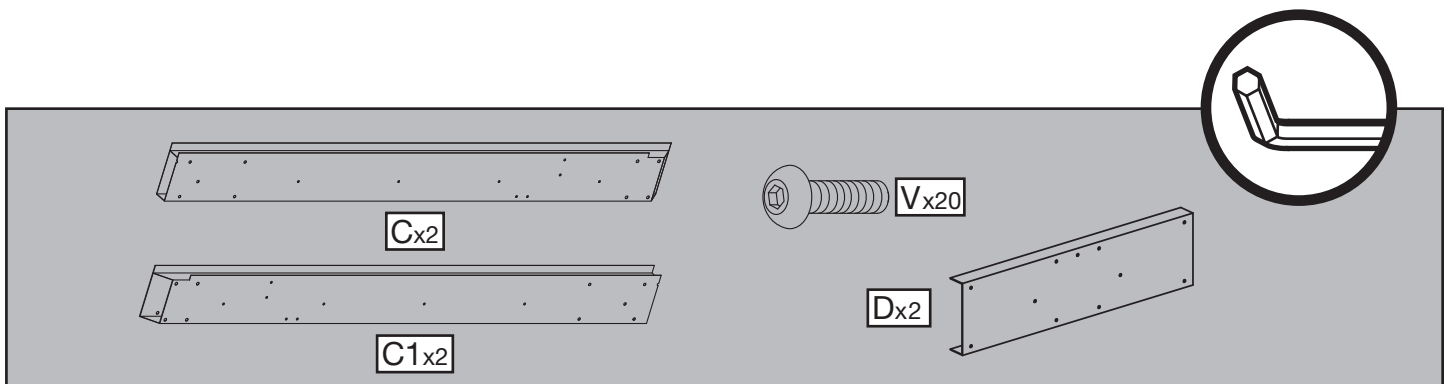
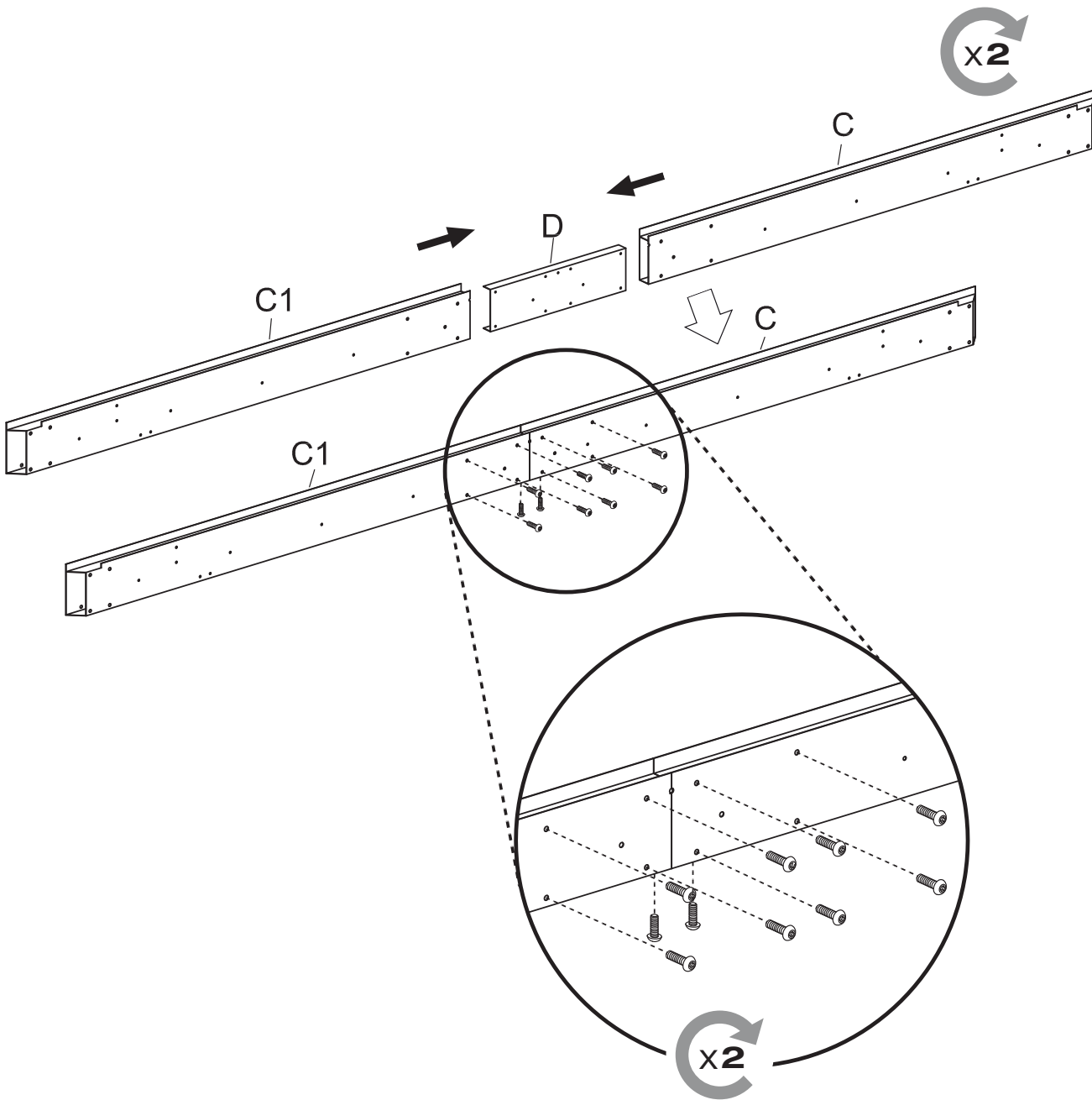


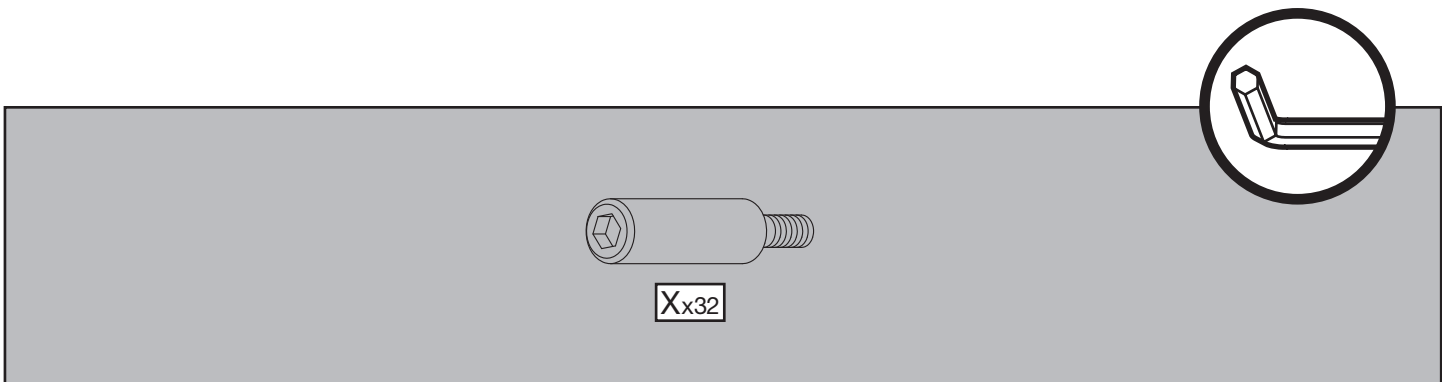
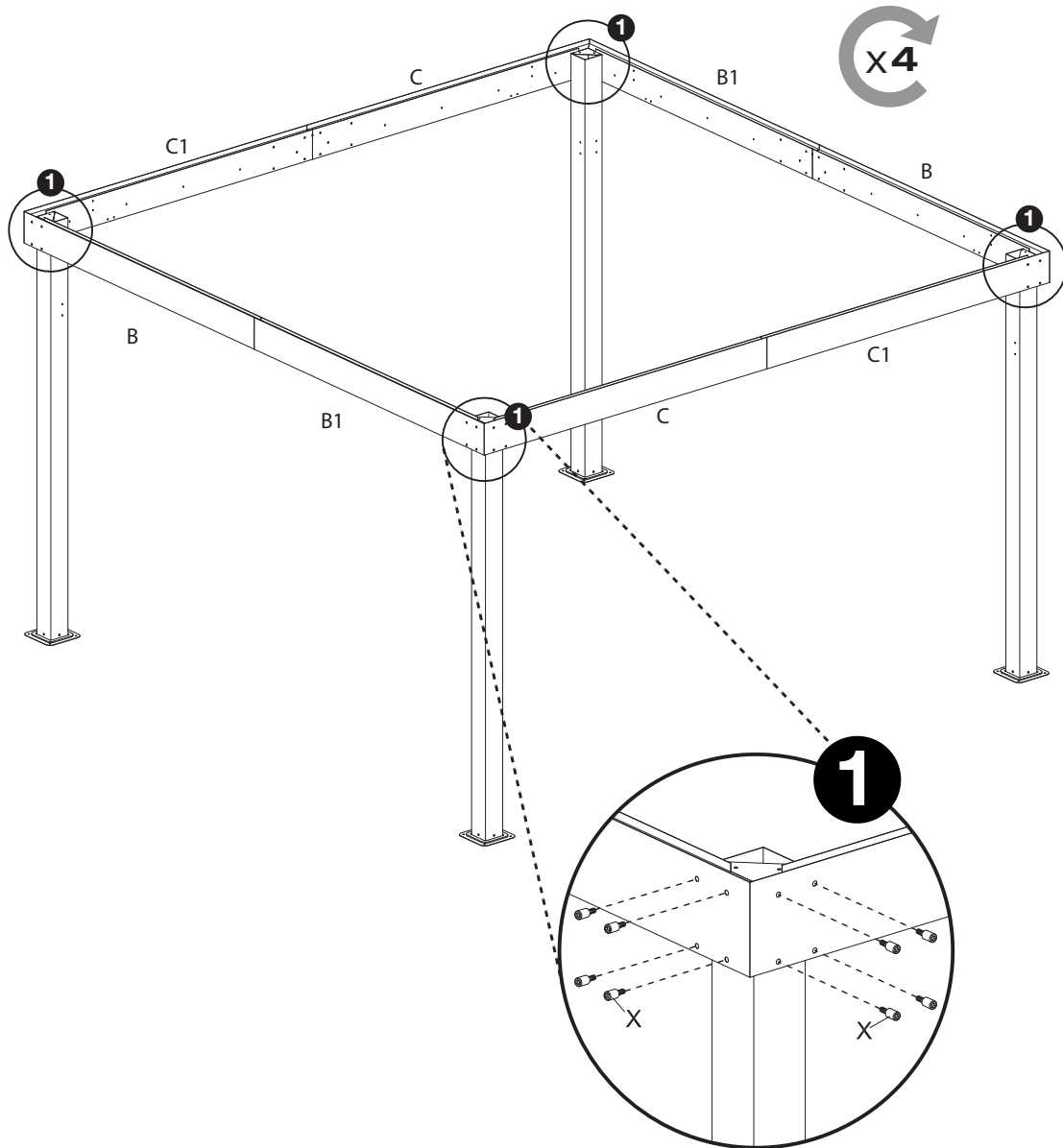
Curtain x4

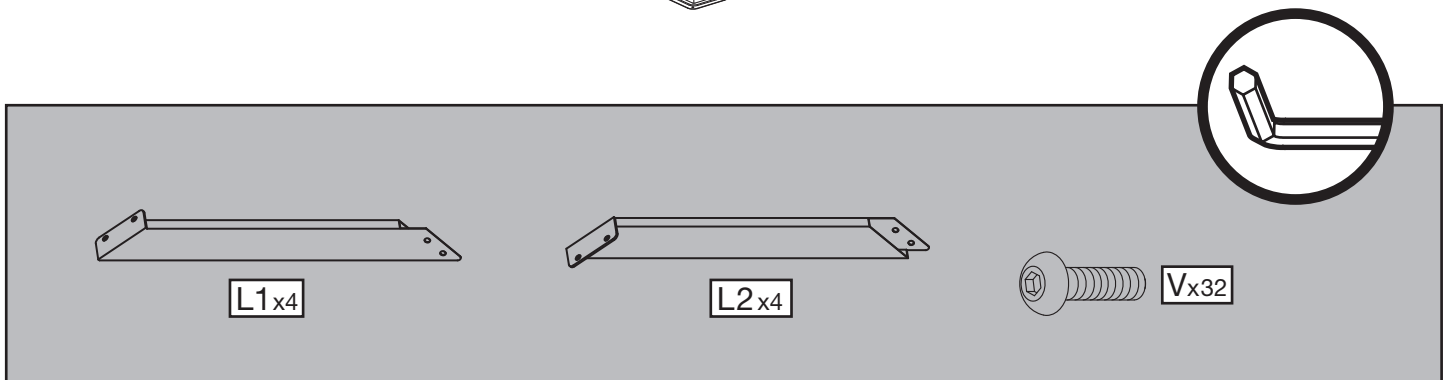
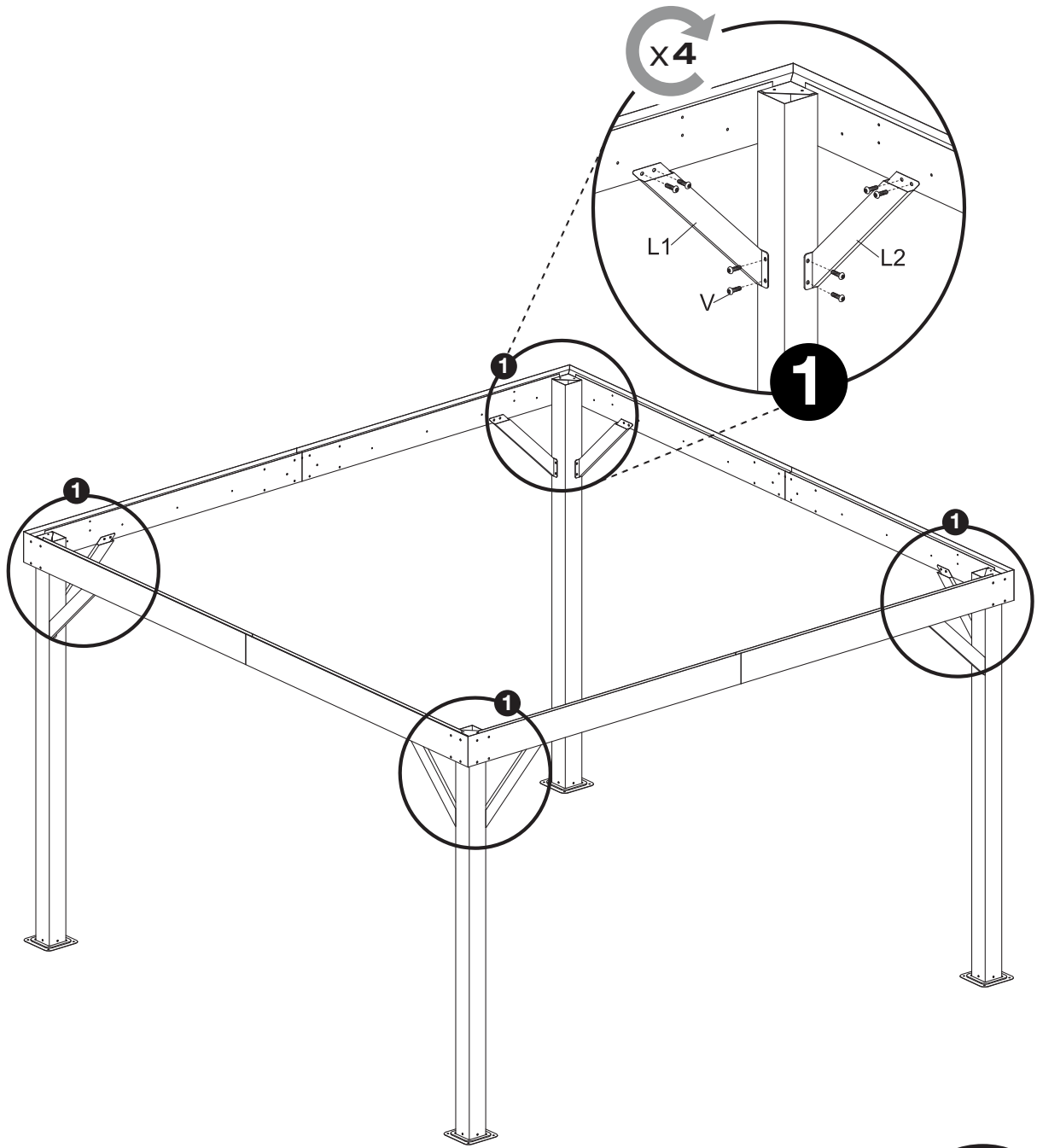


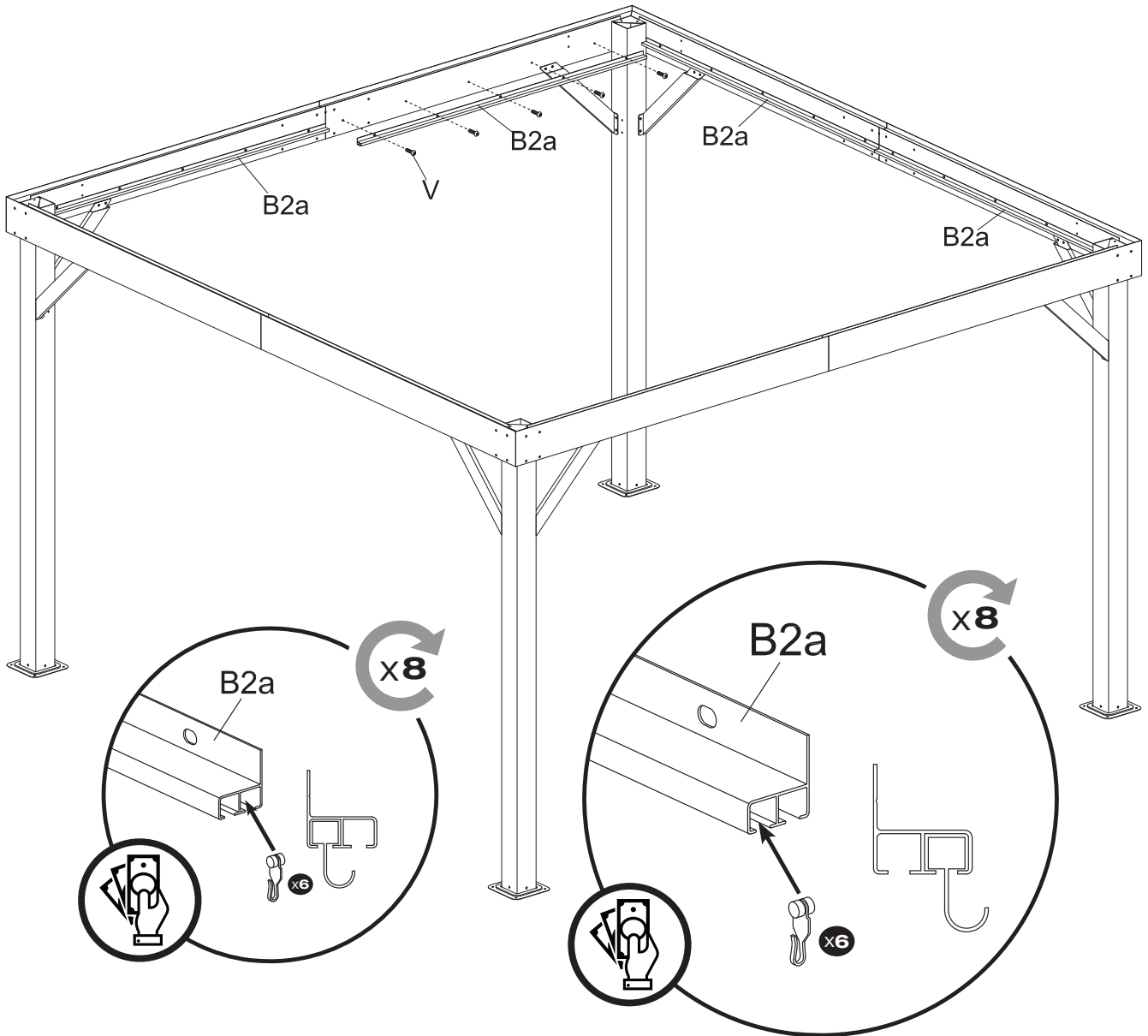




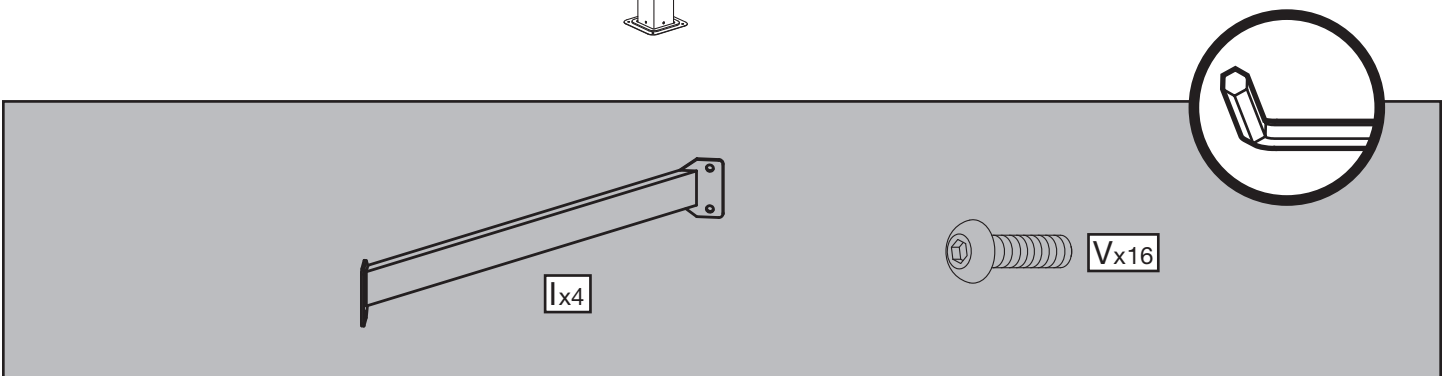
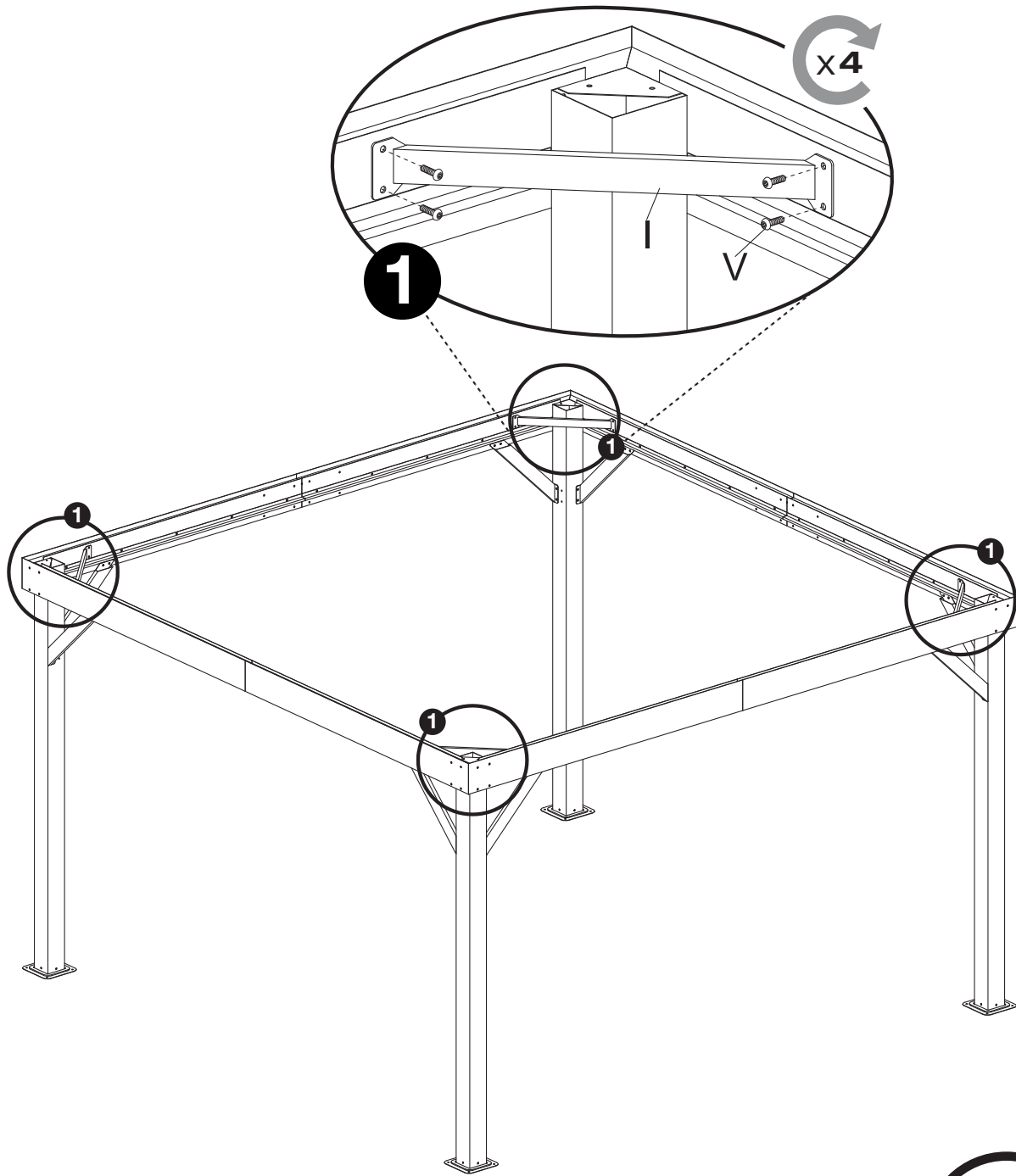


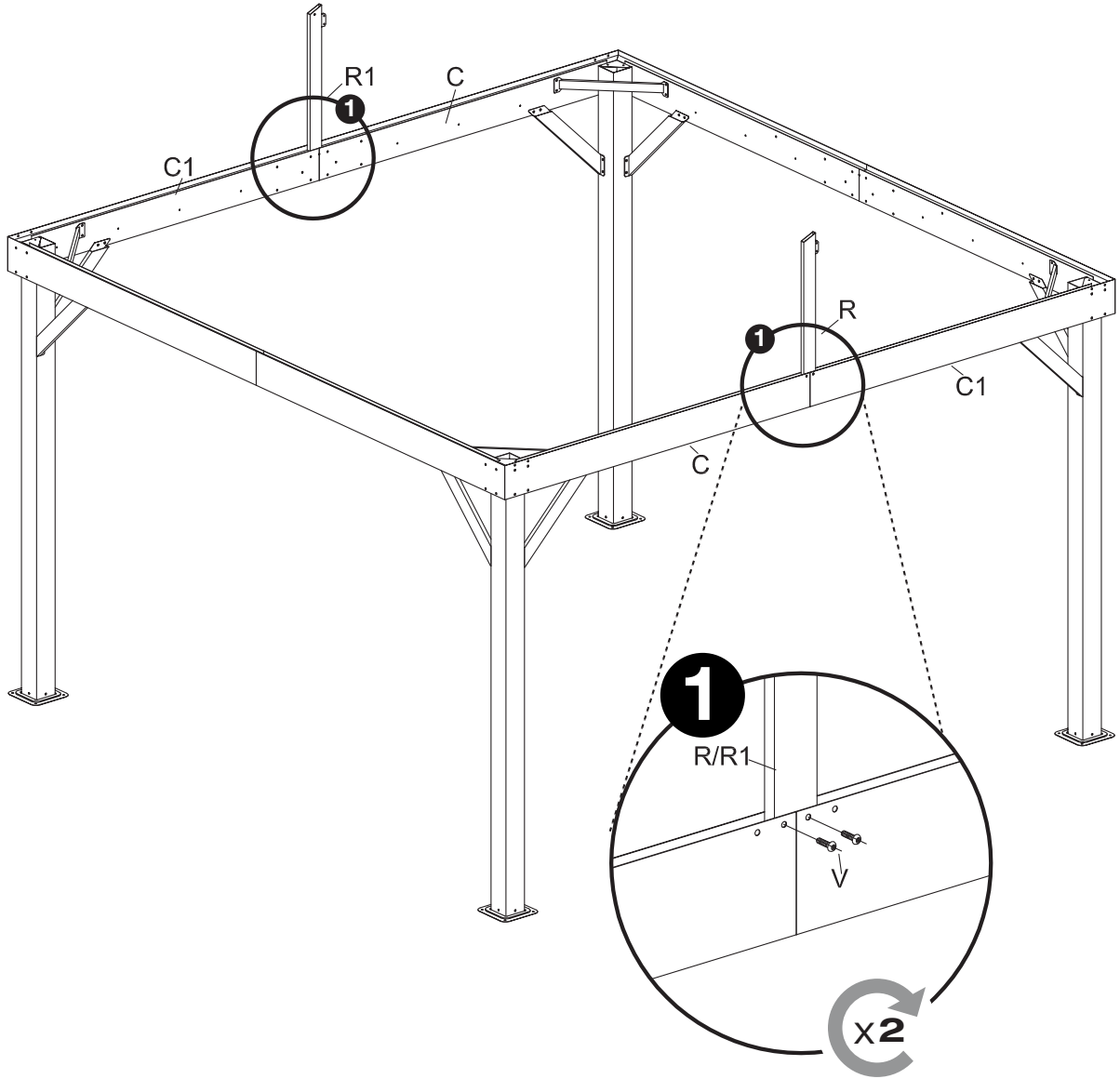






This section lists the parts required for the assembly. It includes a bolt labeled Vx40, a beam labeled B2ax8, a key labeled Qx48 (x2), and a corner bracket. The corner bracket is shown in a circular callout. The key is shown in a circular callout with a hand holding it.

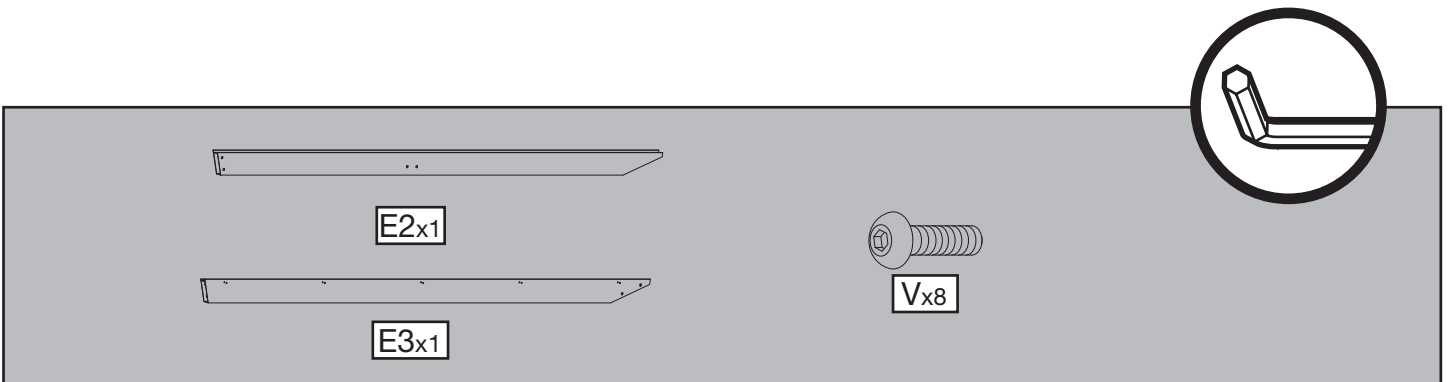
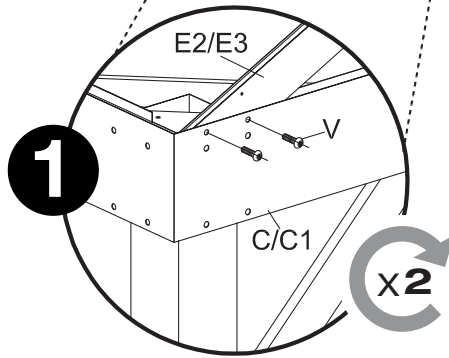
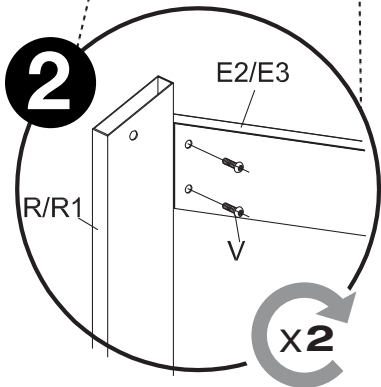
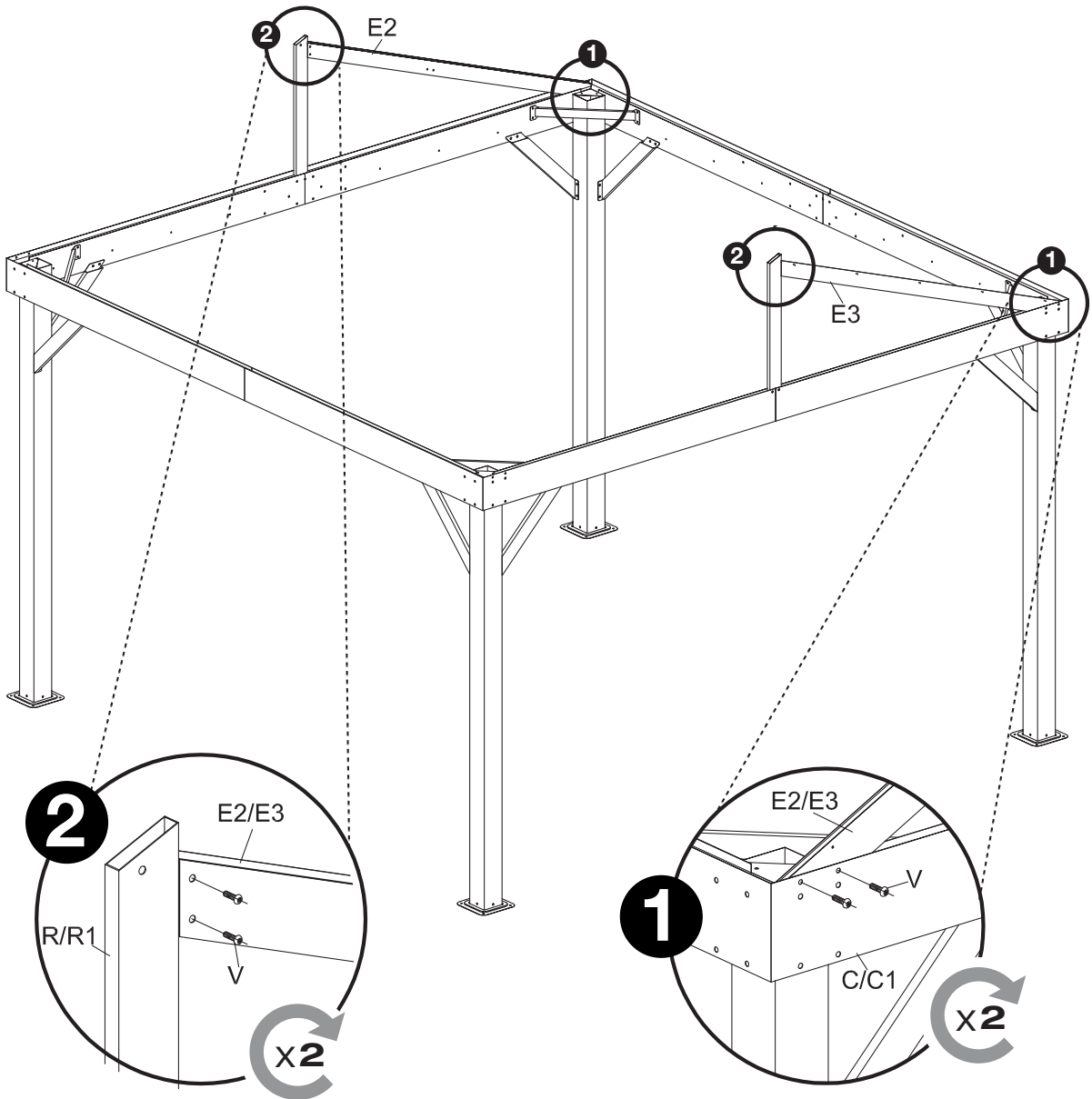


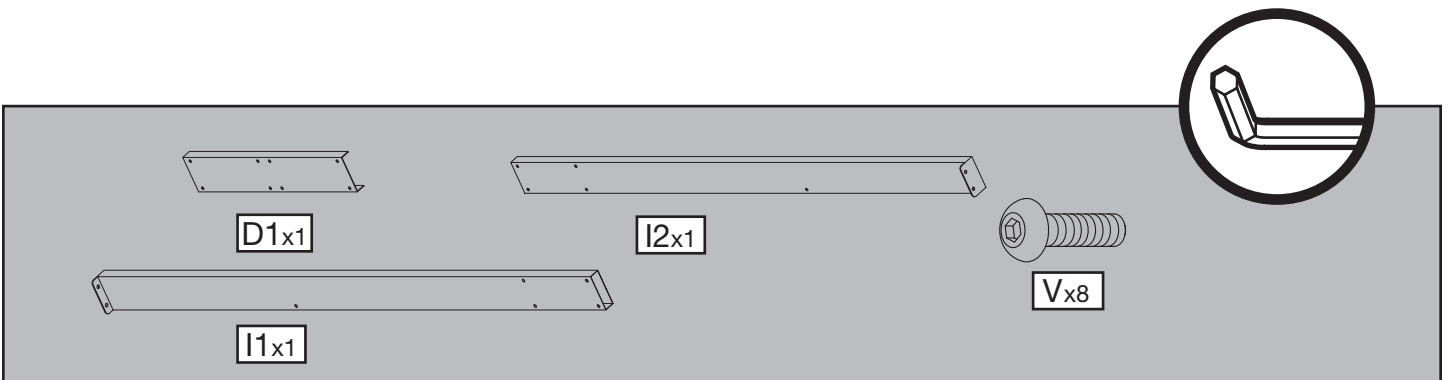
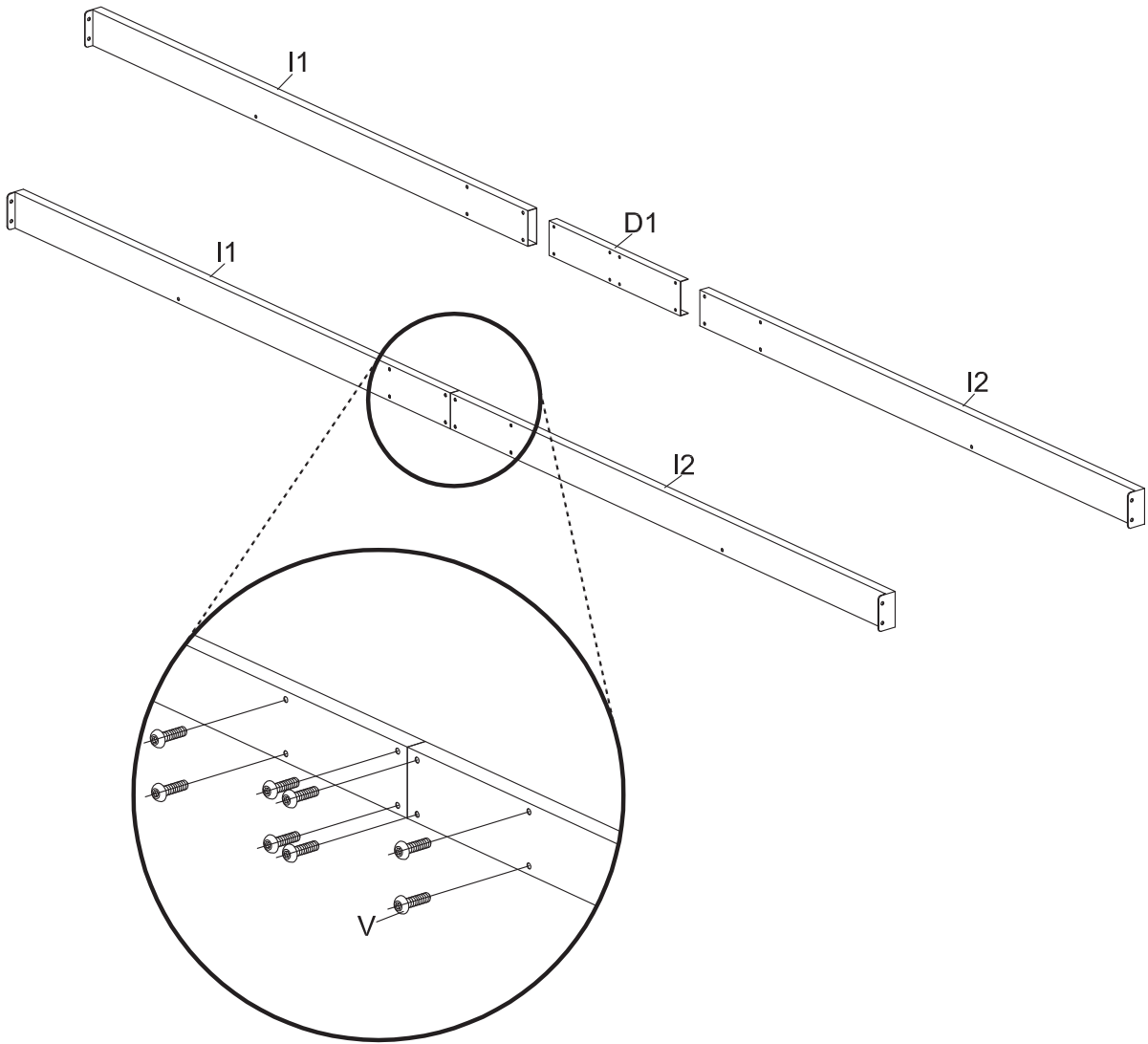


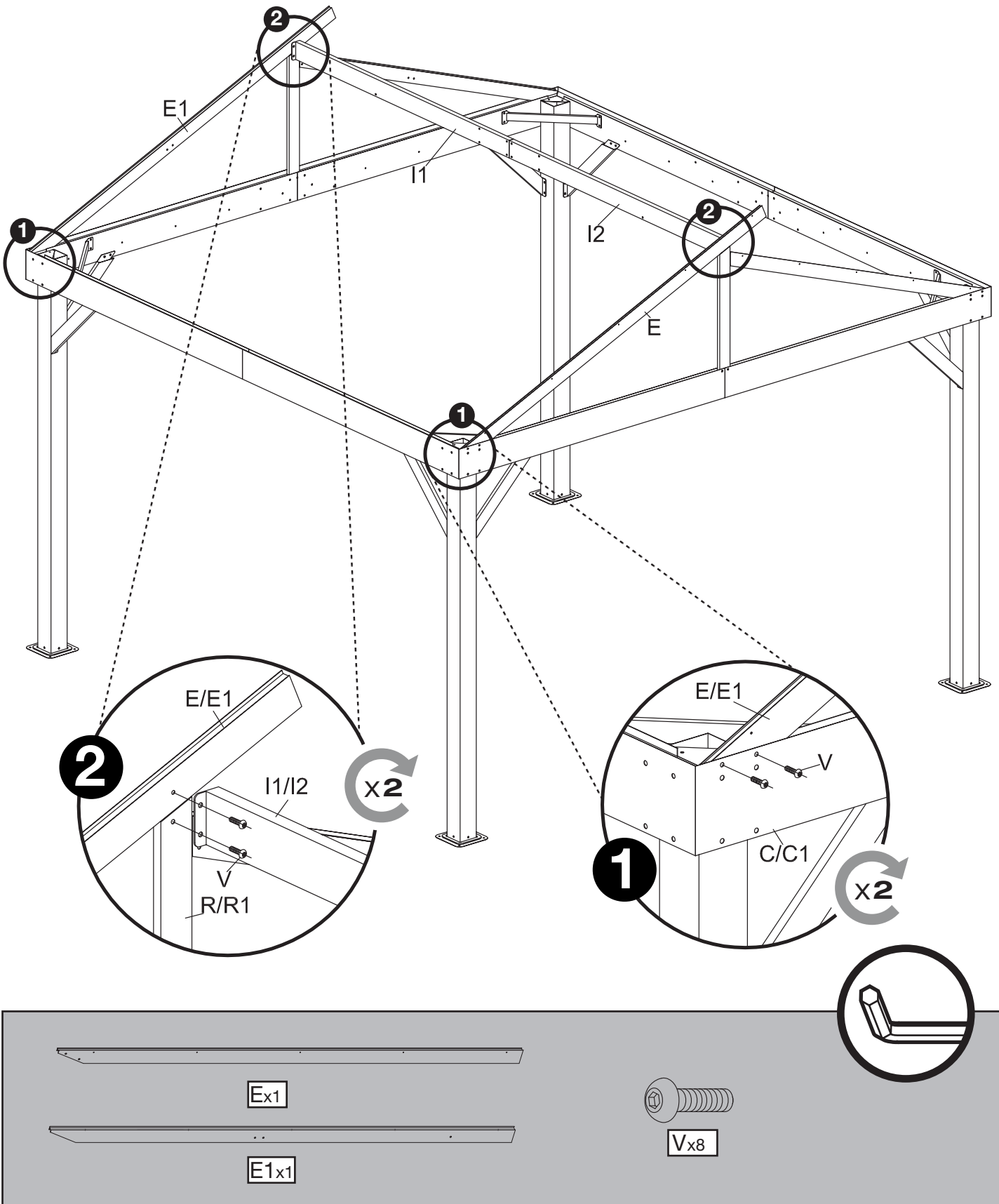
R1x1

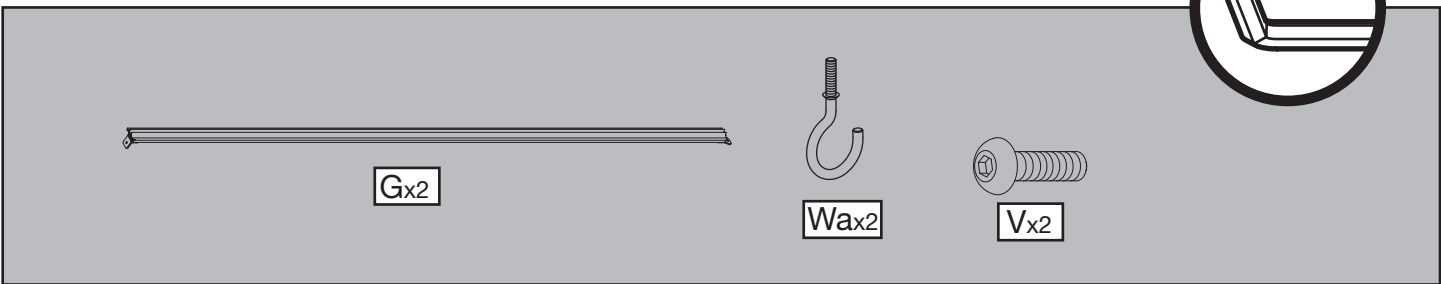
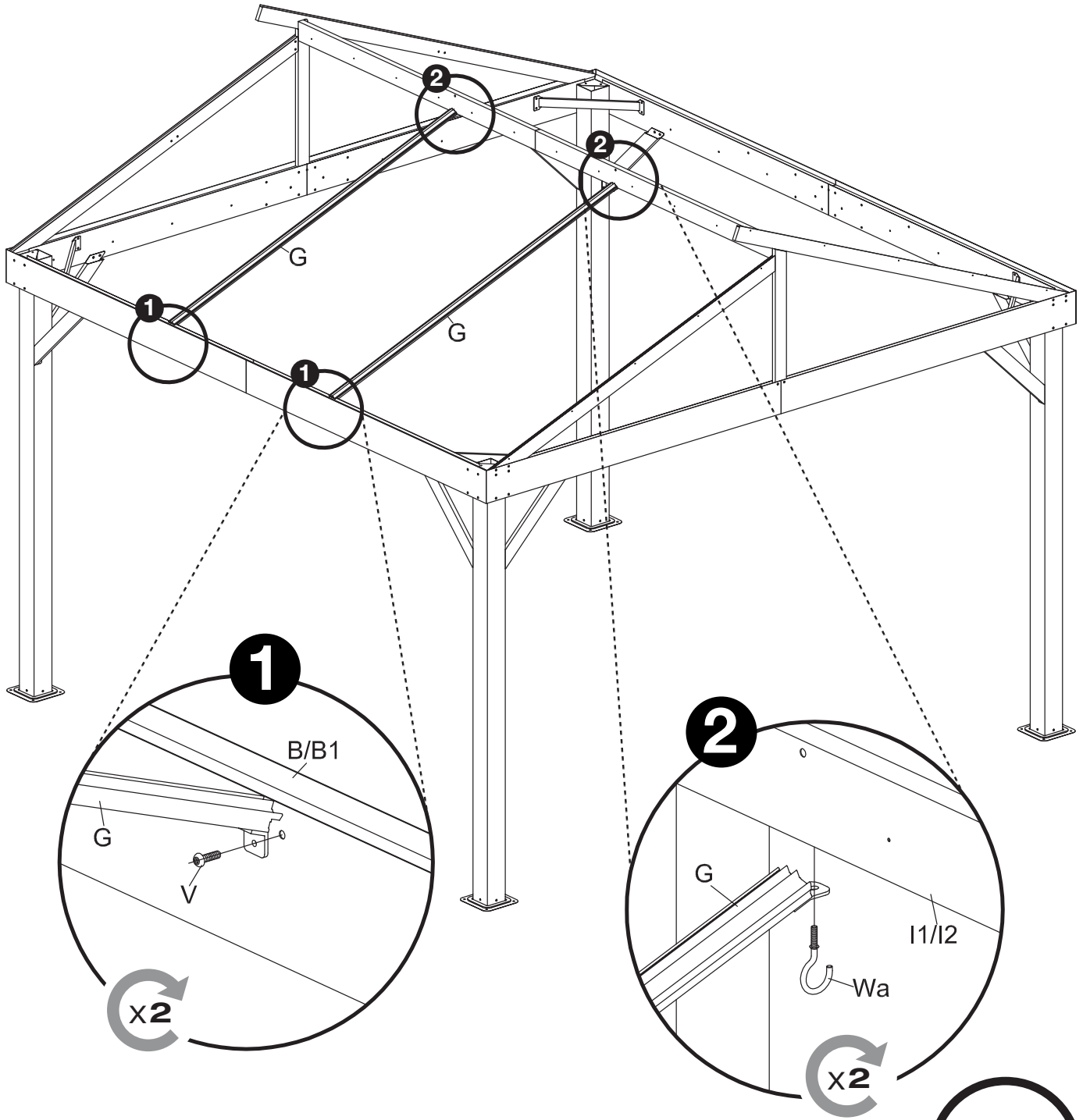
R1x1

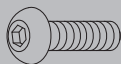
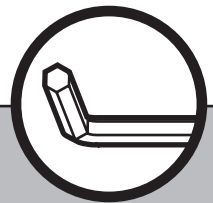
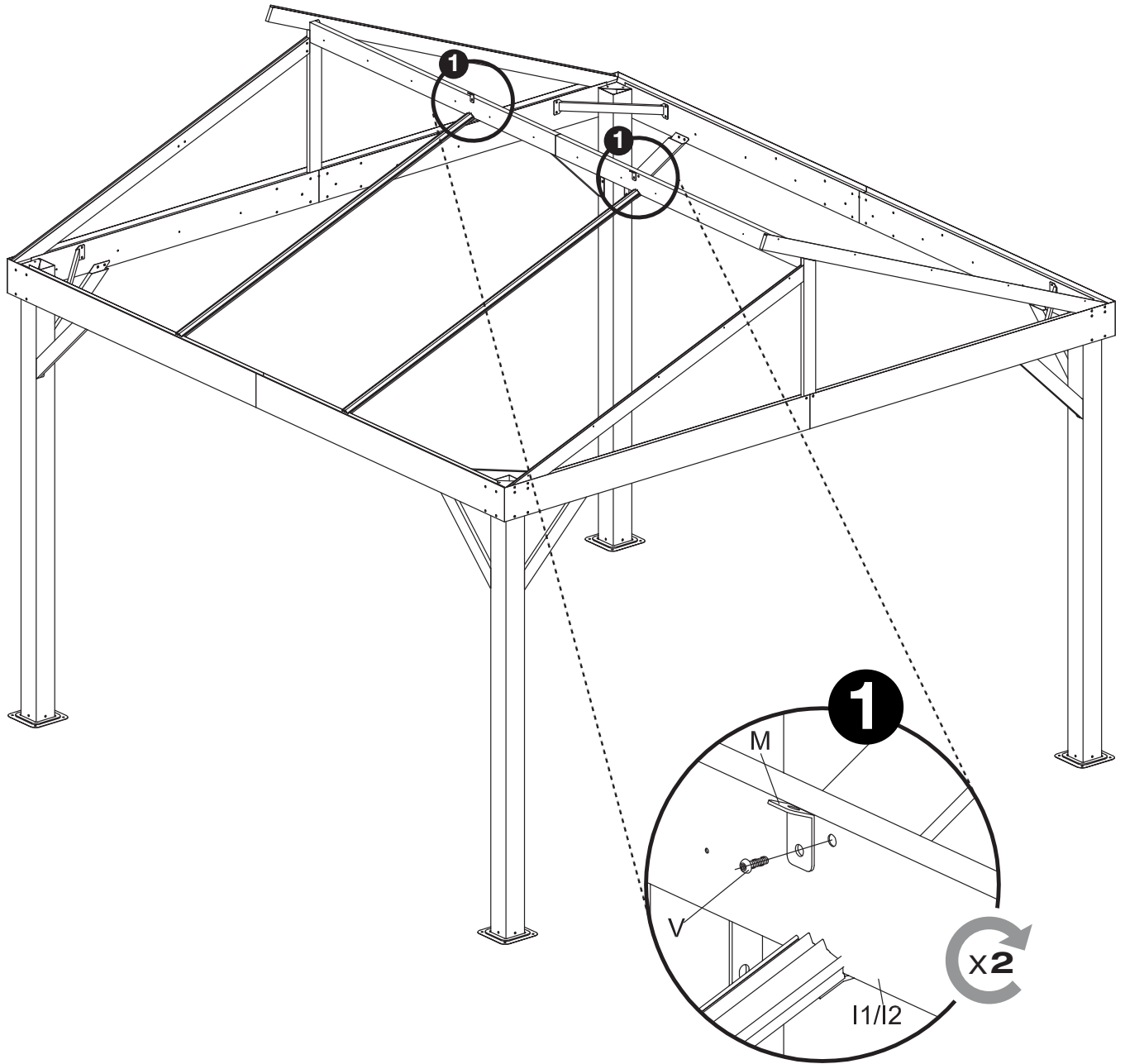
Vx4

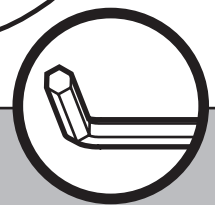
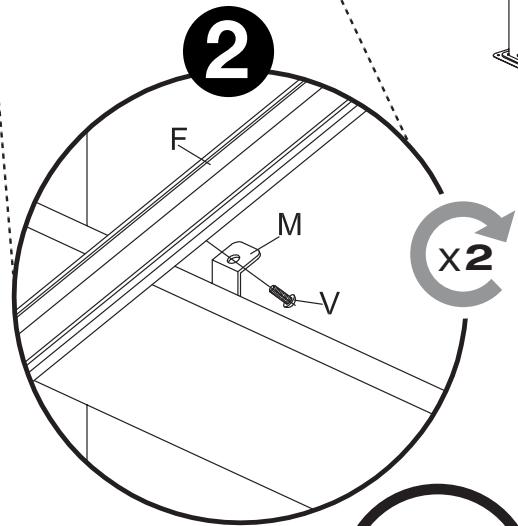
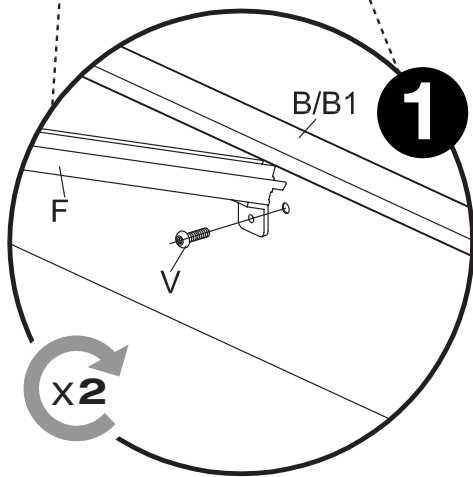
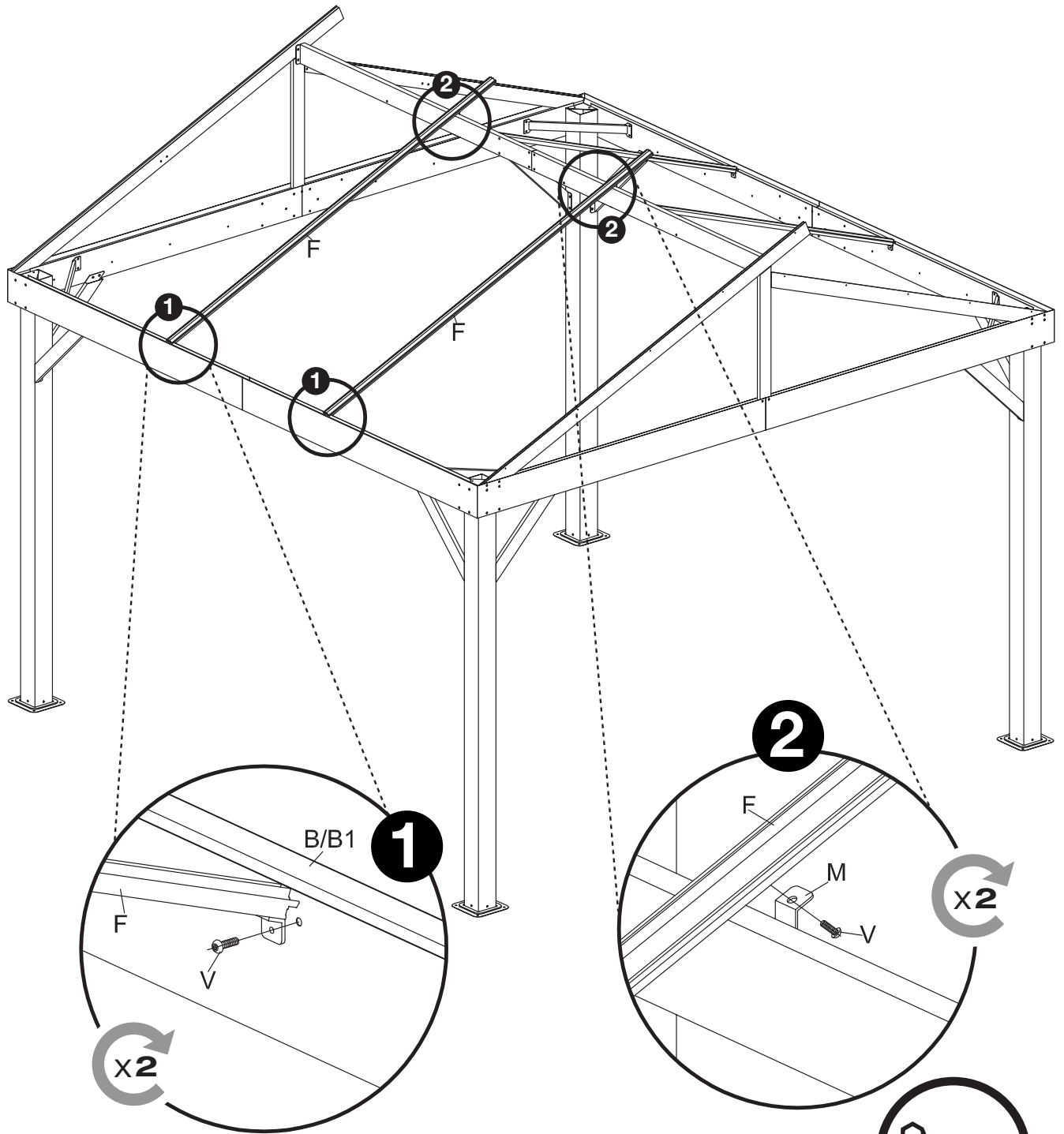




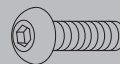




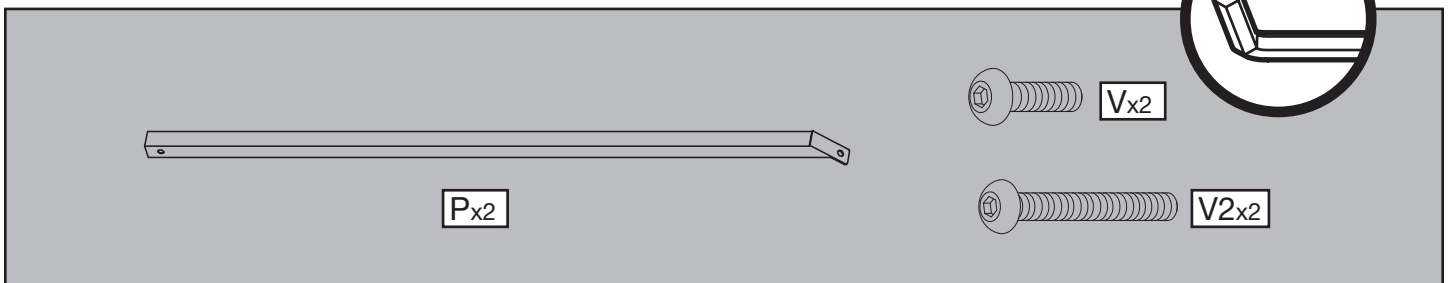
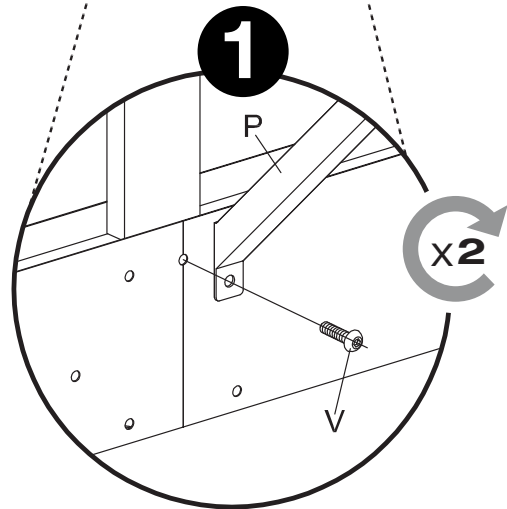
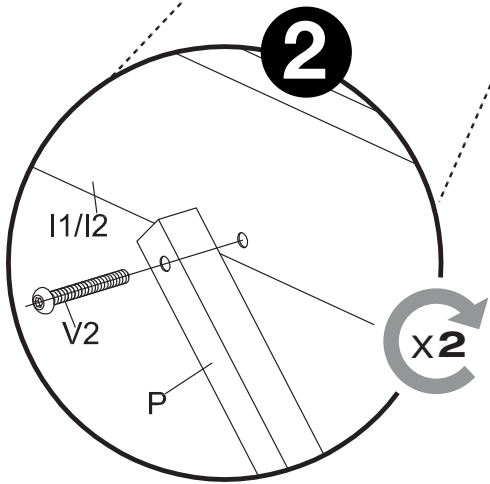
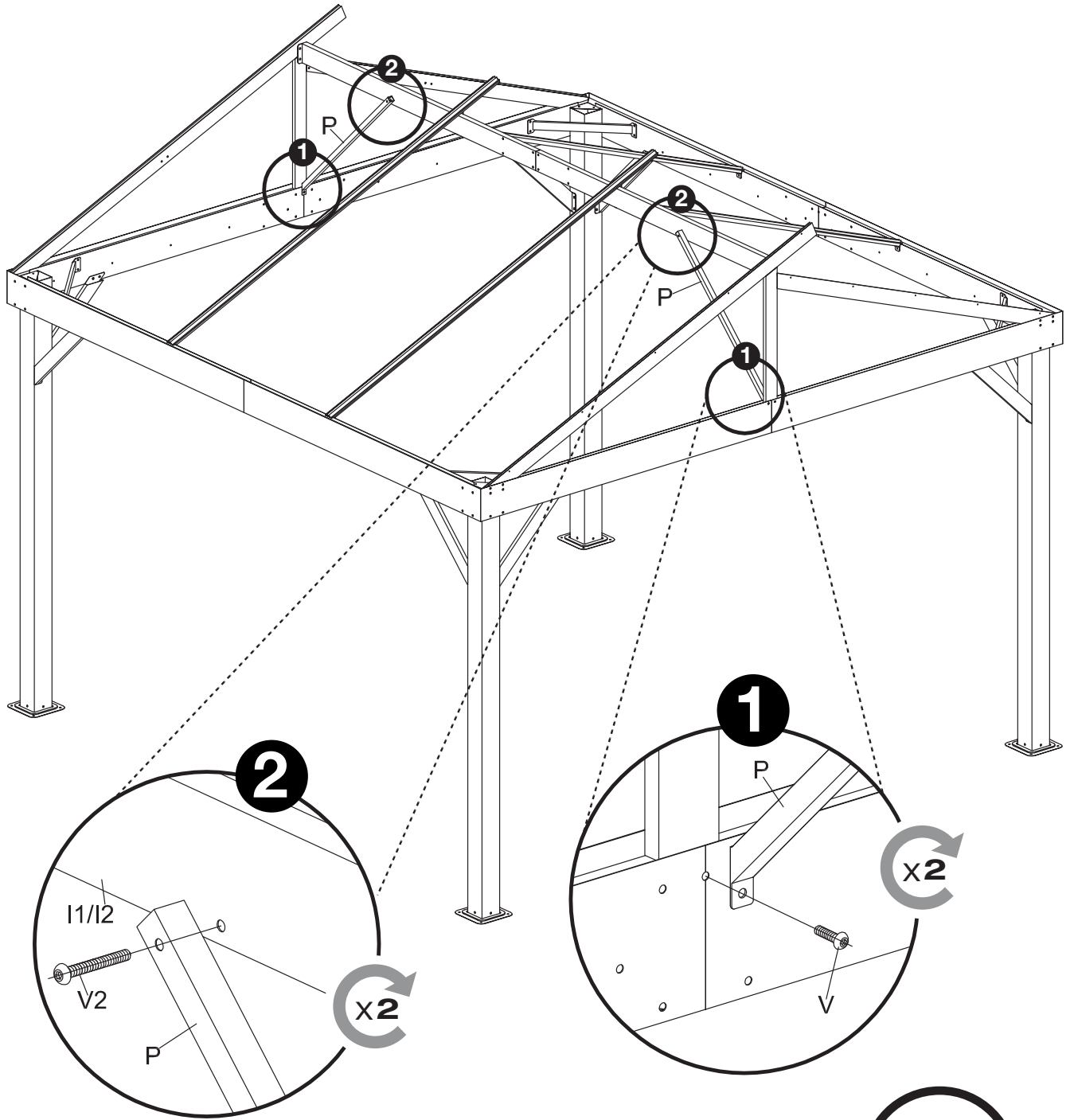


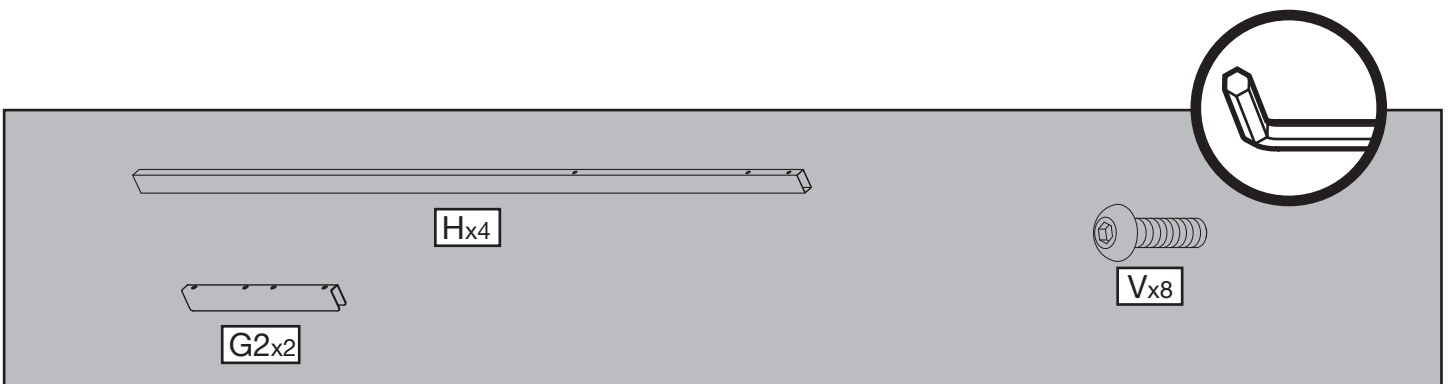
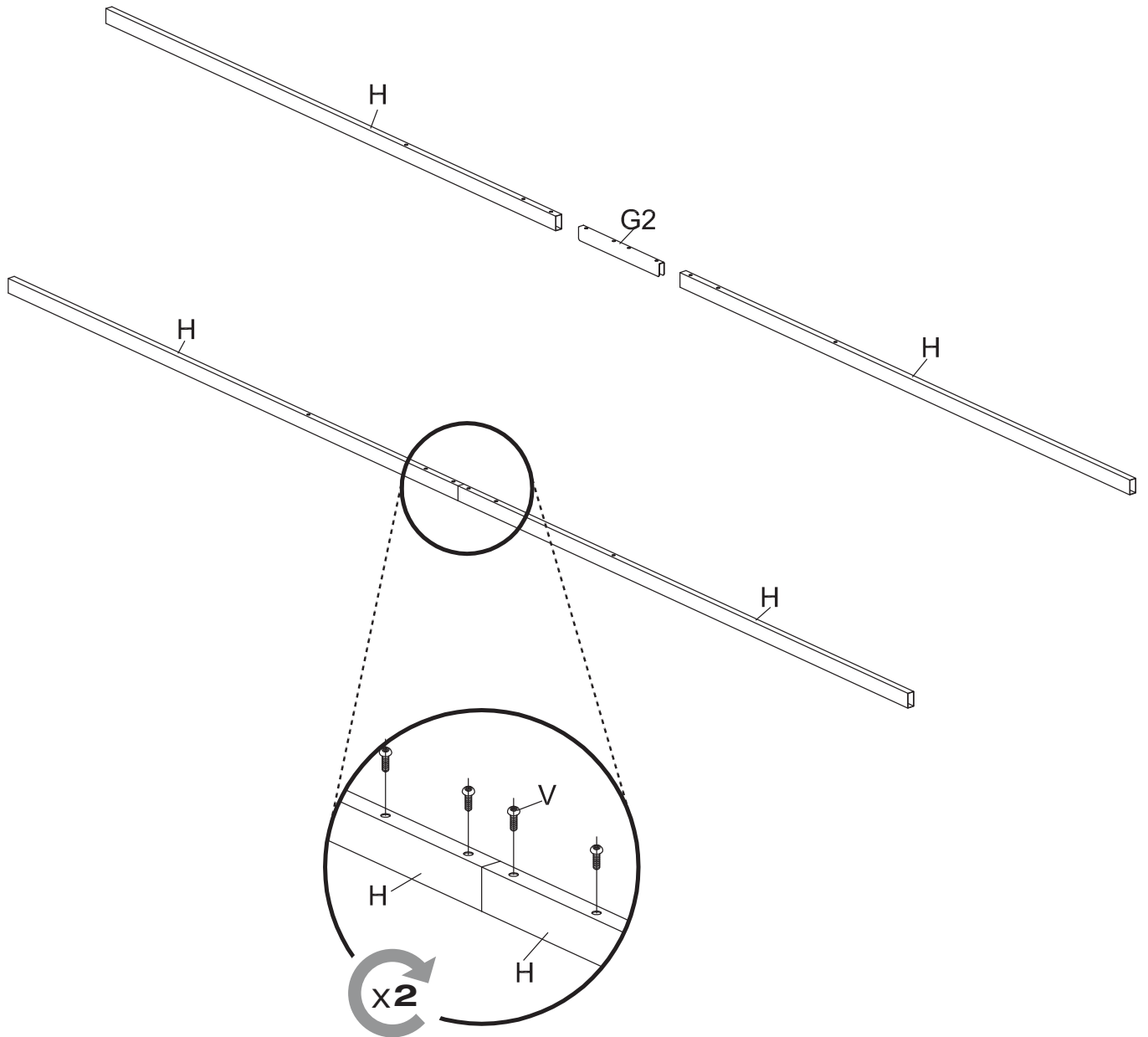


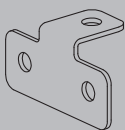
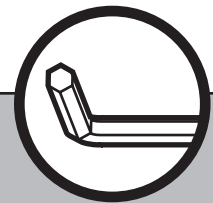
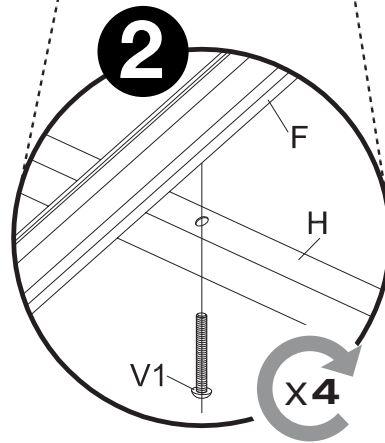
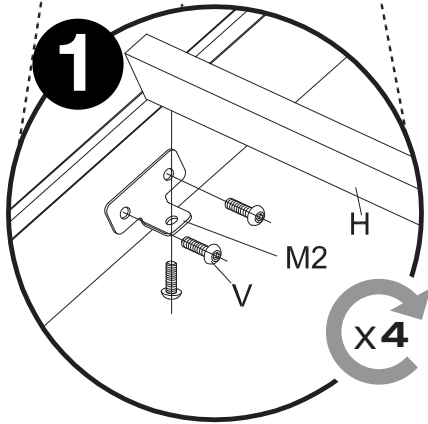
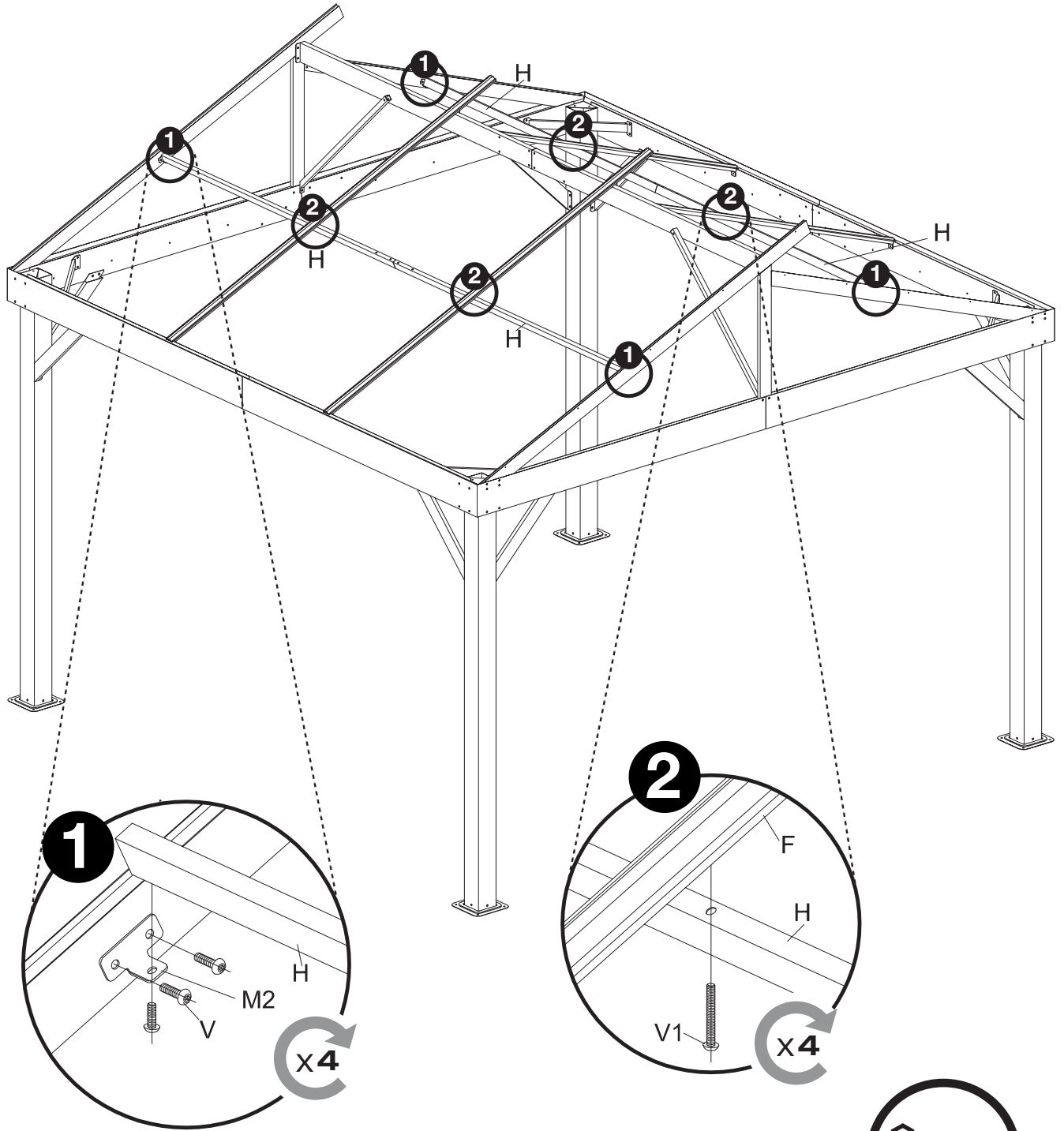
Fx2



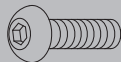
Vx4







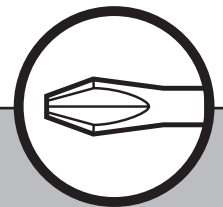
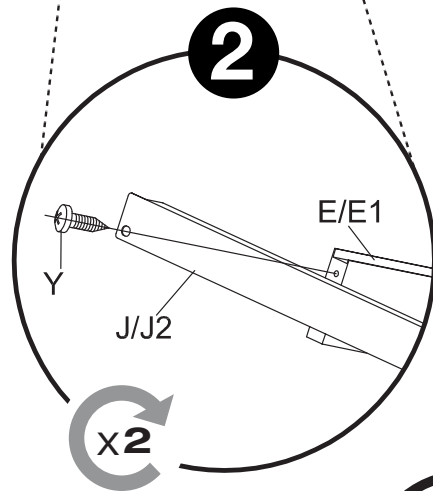
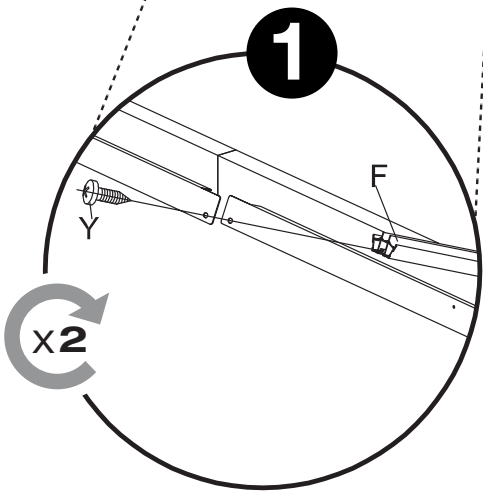
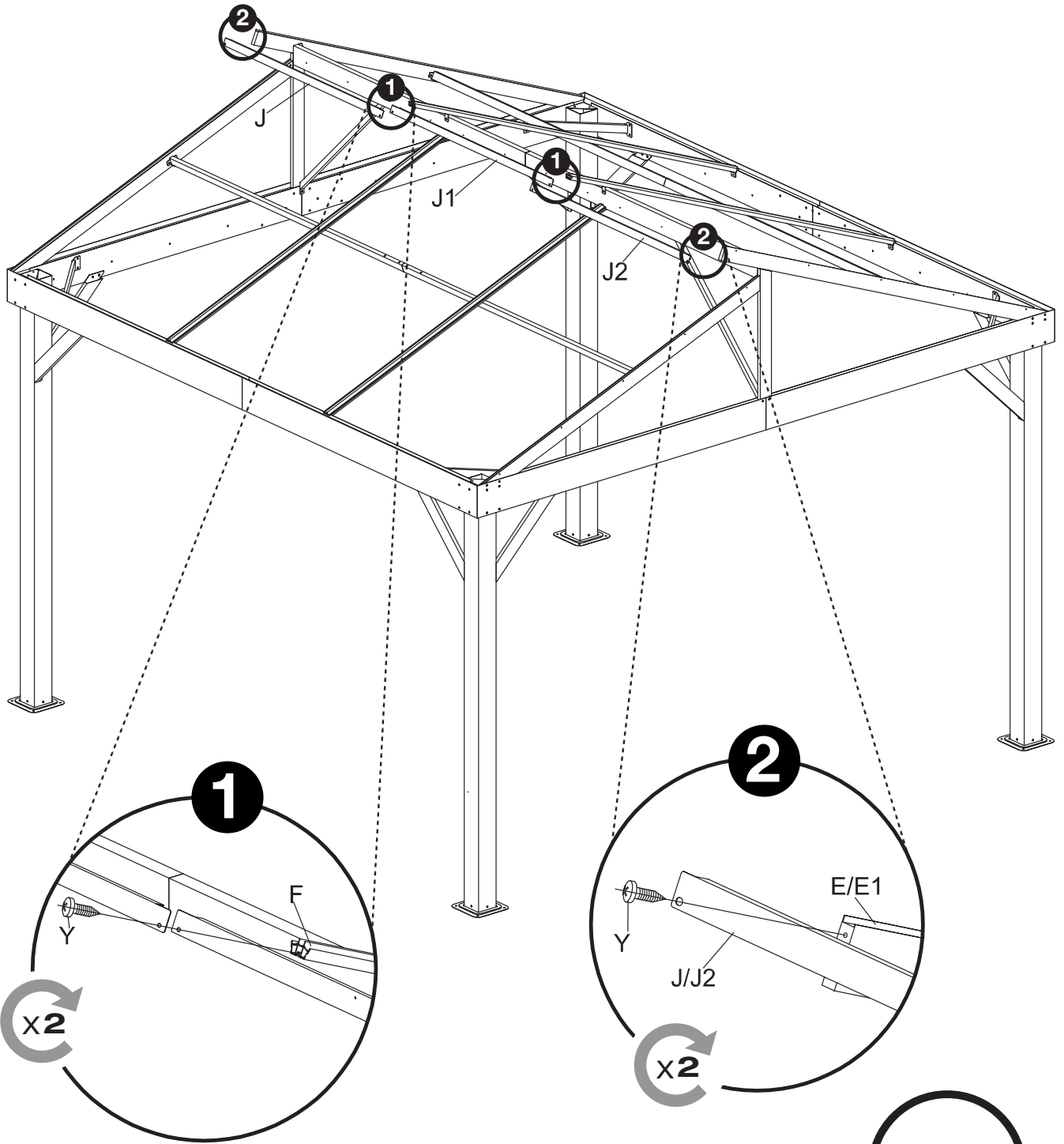
M2x4







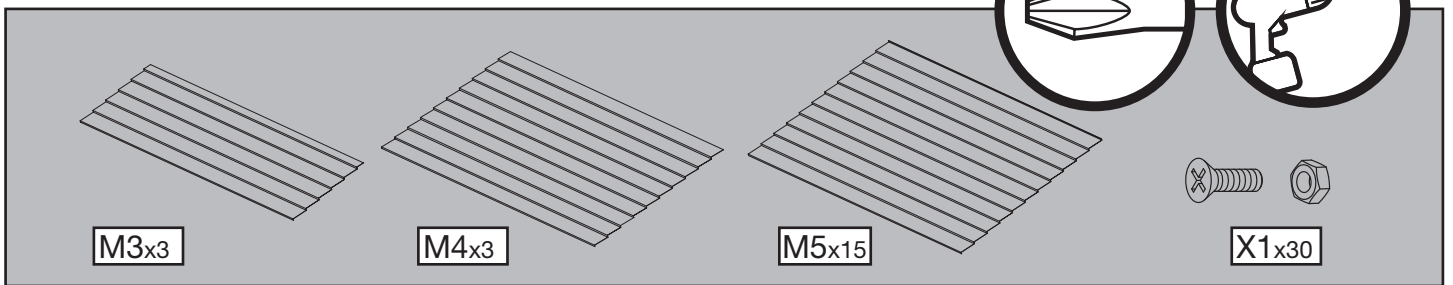
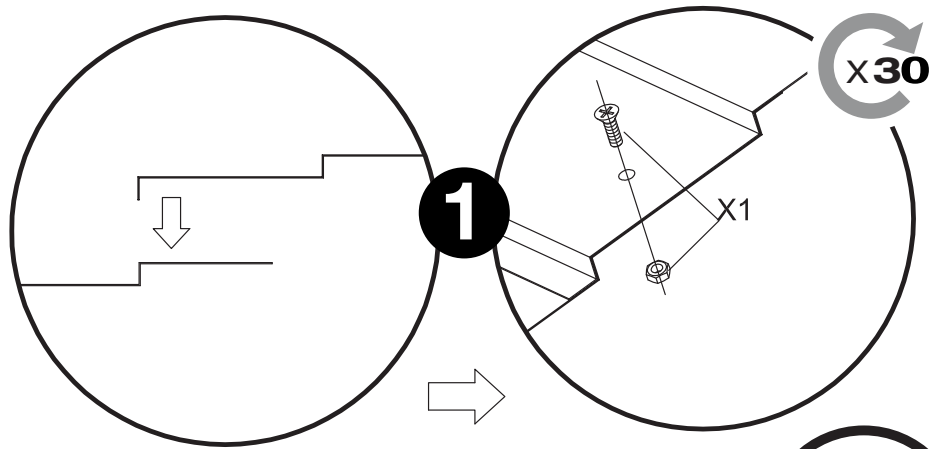
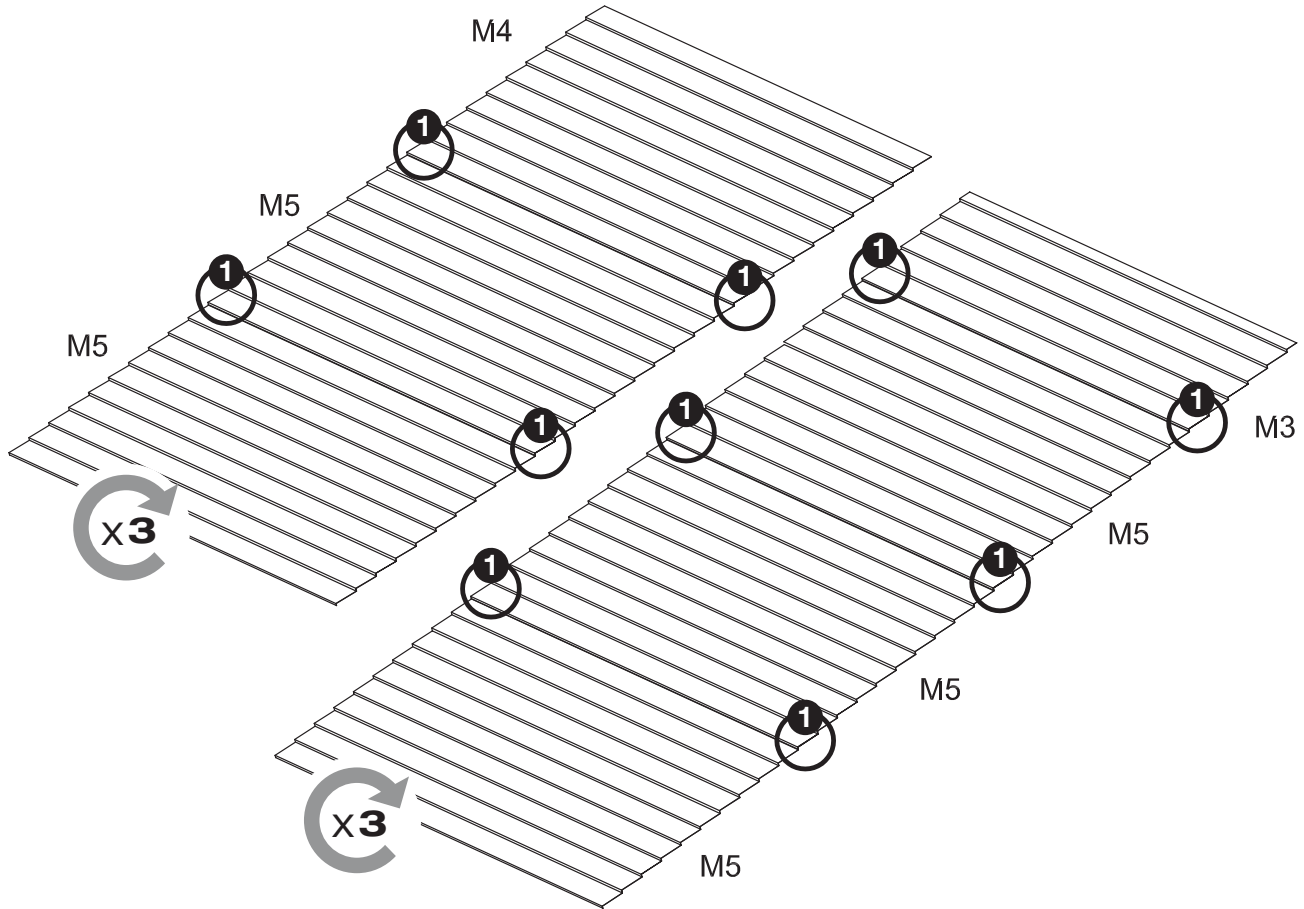
Vx12

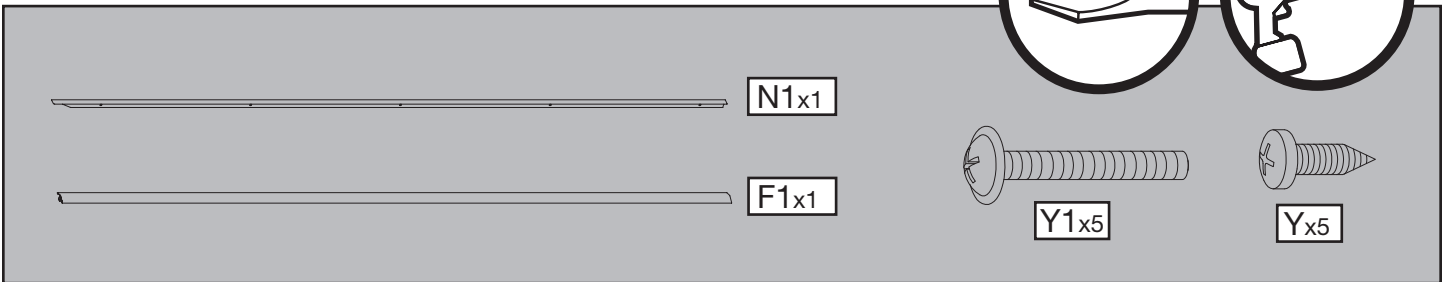
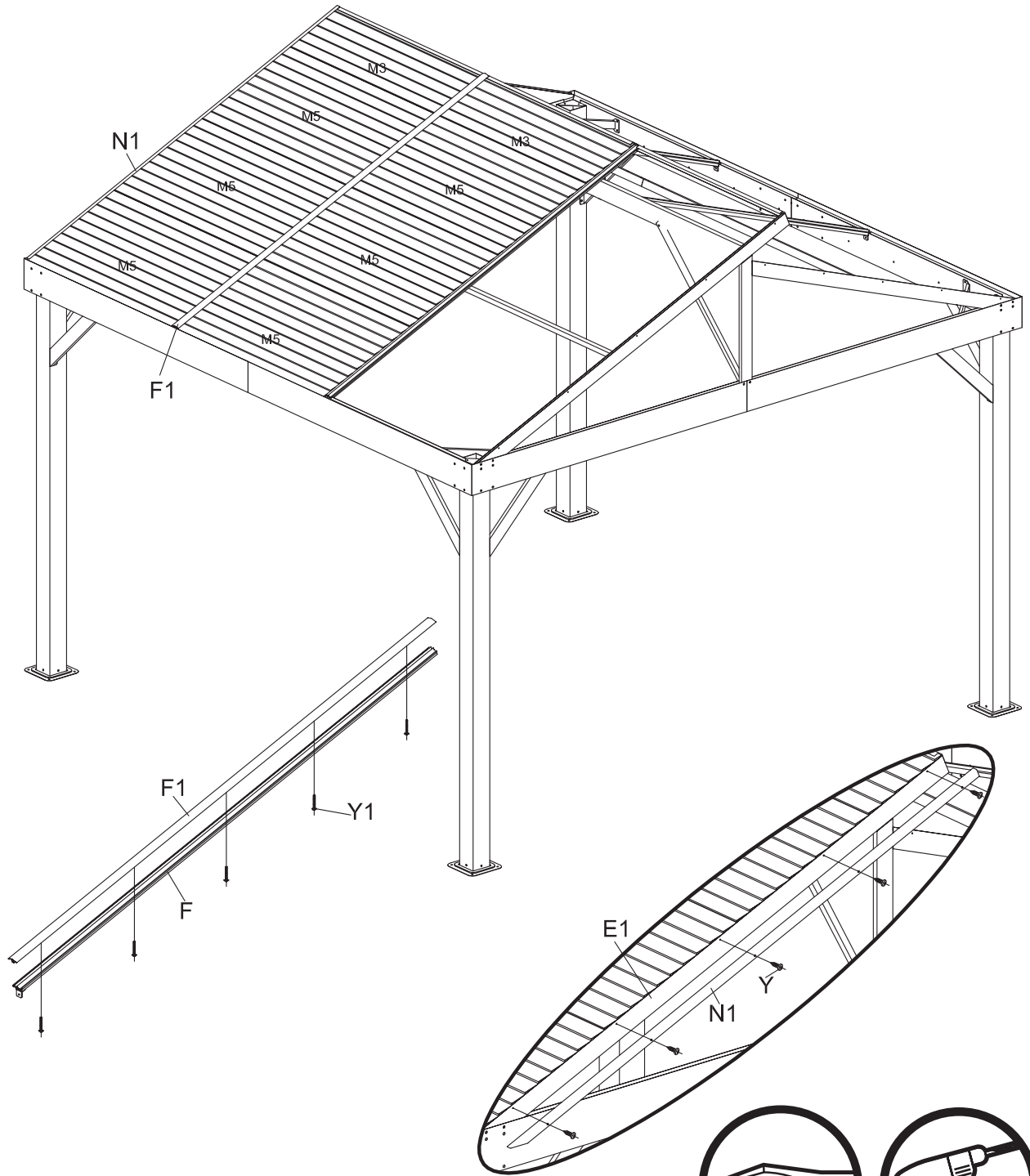


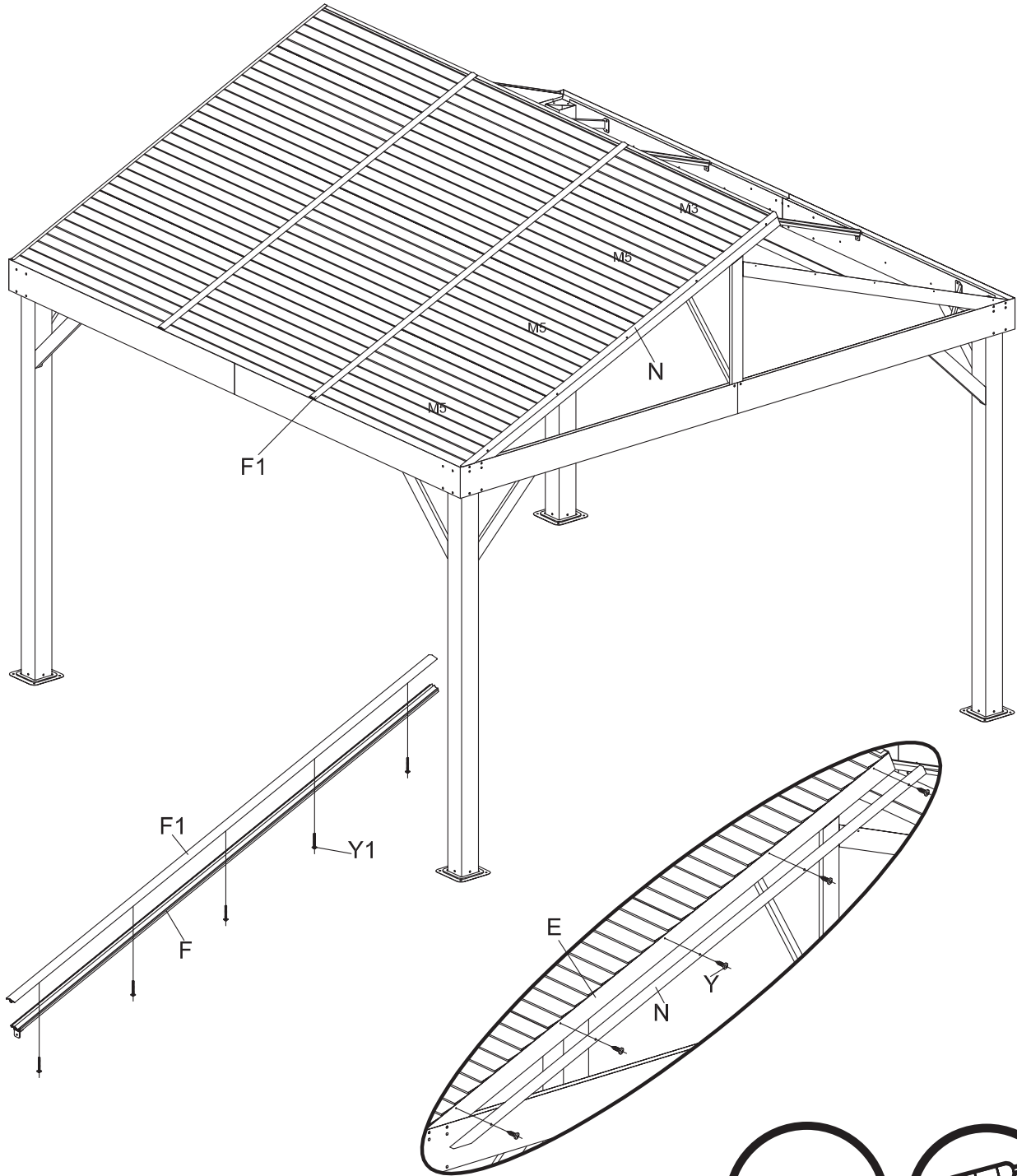
V1x4



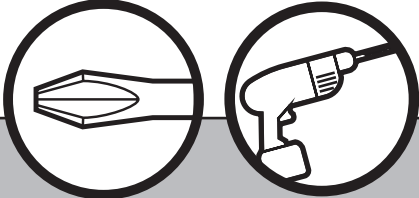
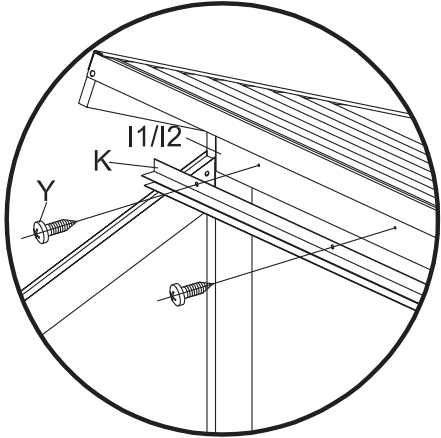
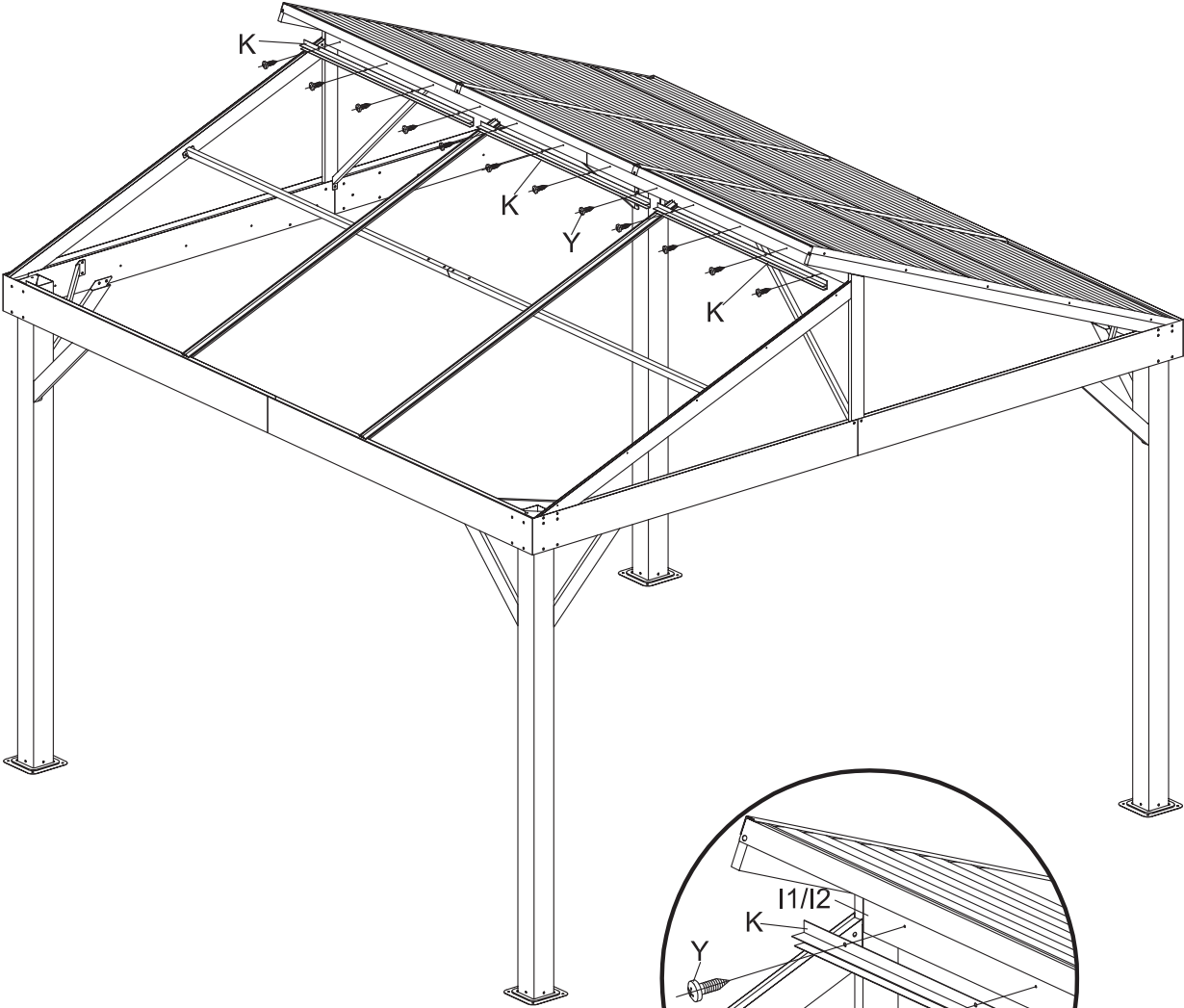
	Jx1	
	J1x1	
	J2x1	
		
		Yx4







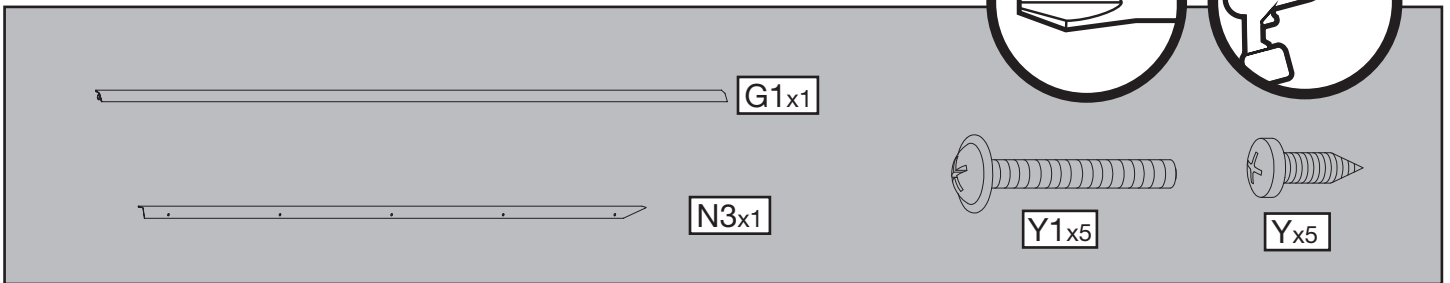
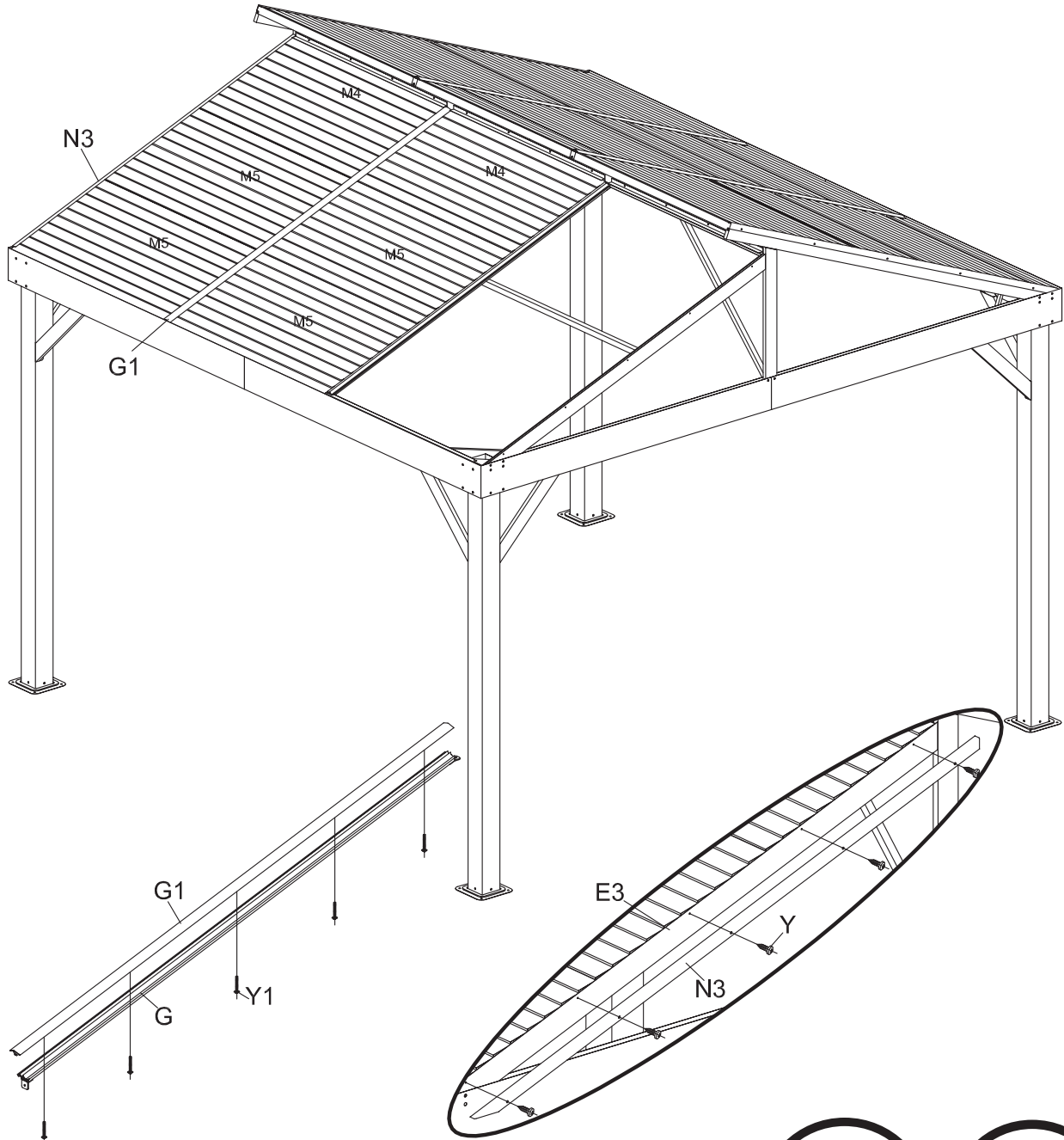
A parts list and tool icons are provided in a grey box. On the left, two long beams are shown, labeled 'Nx1' and 'F1x1'. On the right, two circular icons show a flat-head screwdriver and a power drill. Below these icons are two screws: a long one labeled 'Y1x5' and a shorter one labeled 'Yx5'.

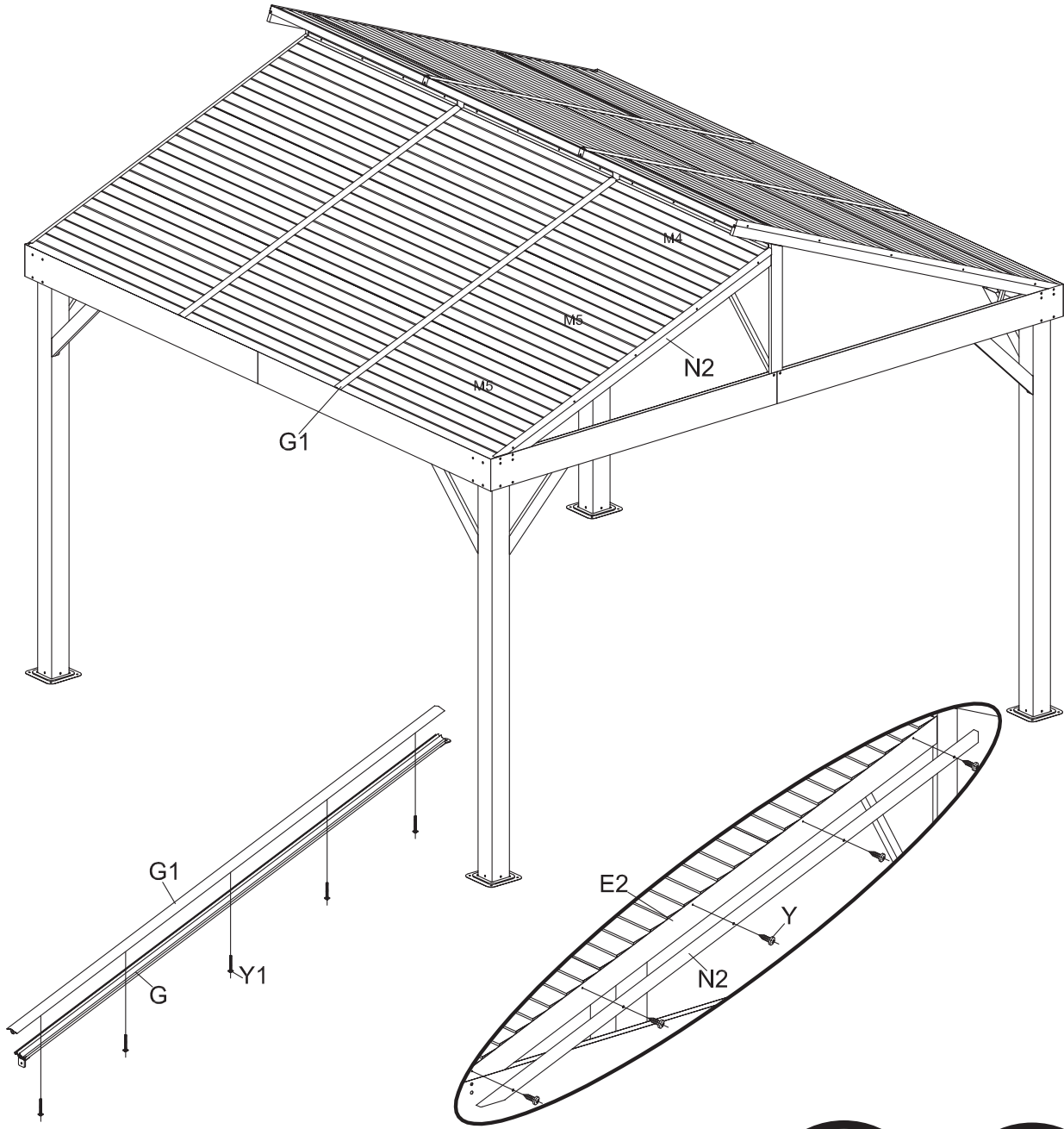


Kx3



Yx12

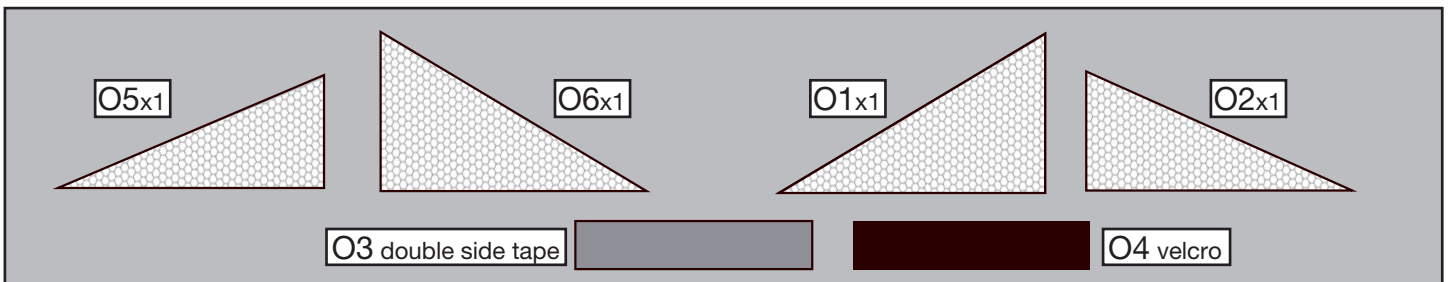
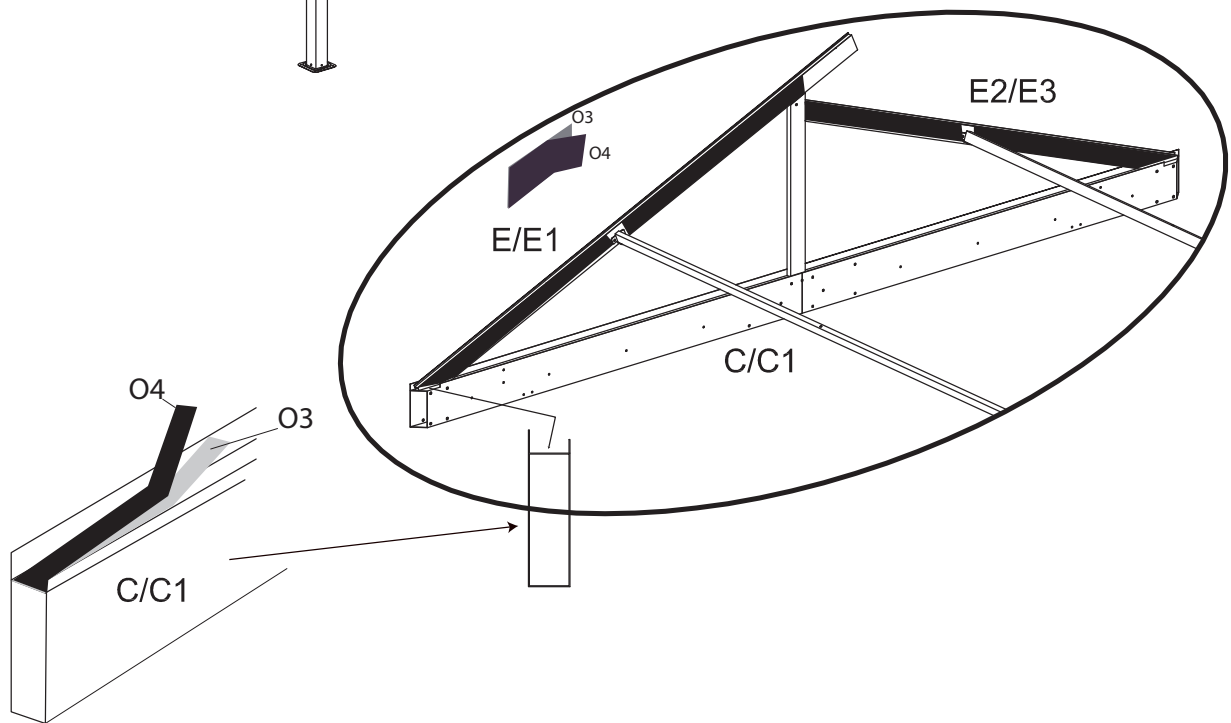
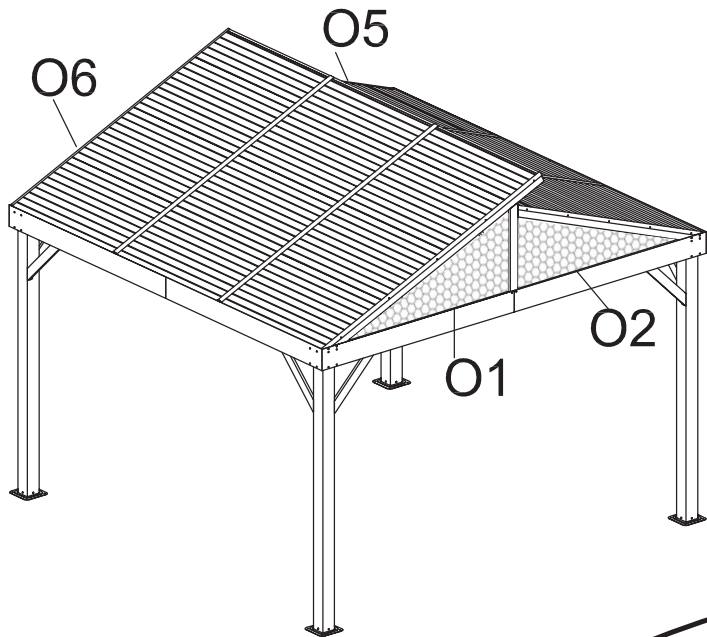


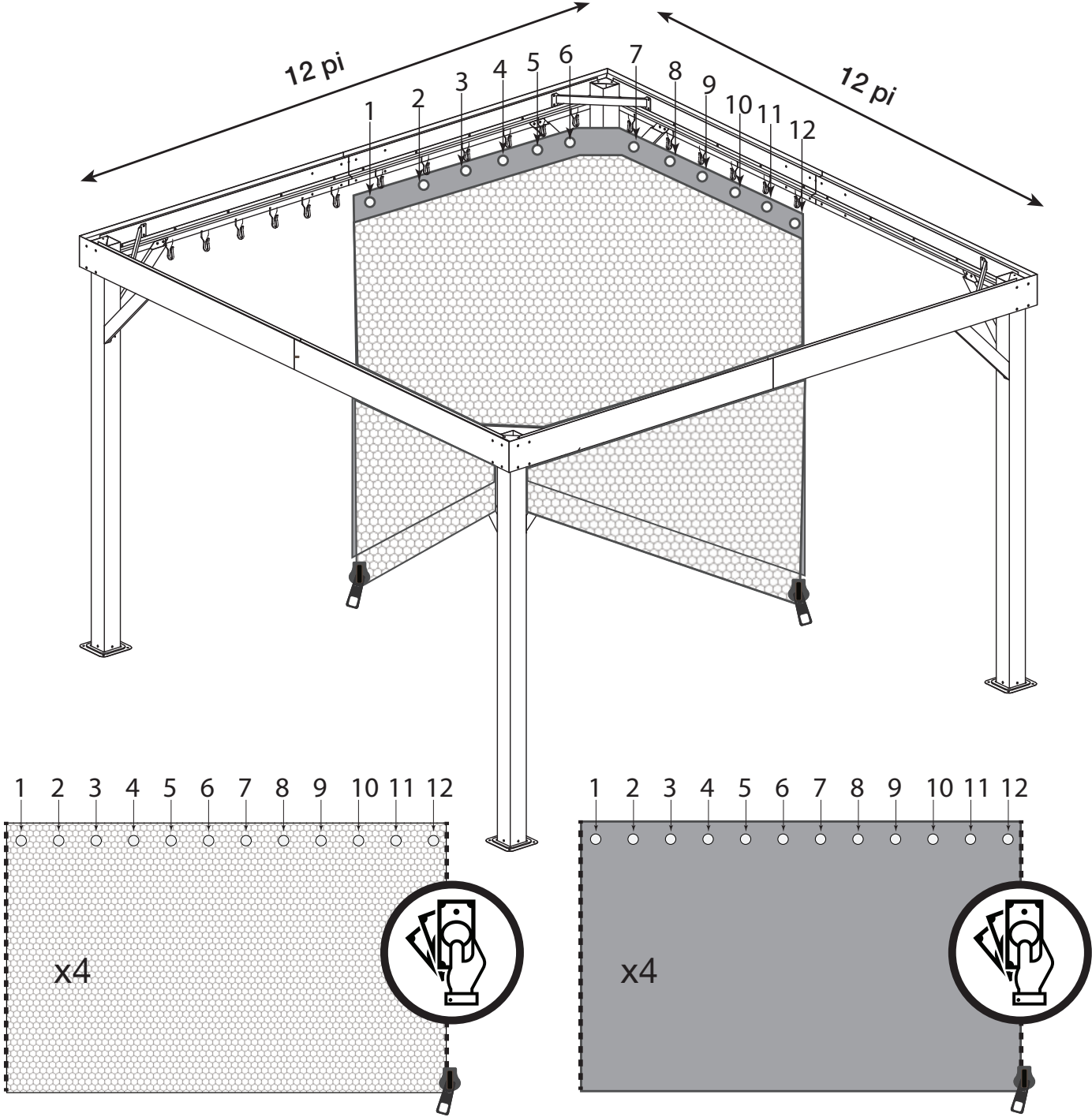


Parts list and tool icons:

- G1x1
- N2x1
- Y1x5
- Yx5

Tools: Pliers, Power Drill





SOJAG ■ I
produits saisonniers • seasonal products